

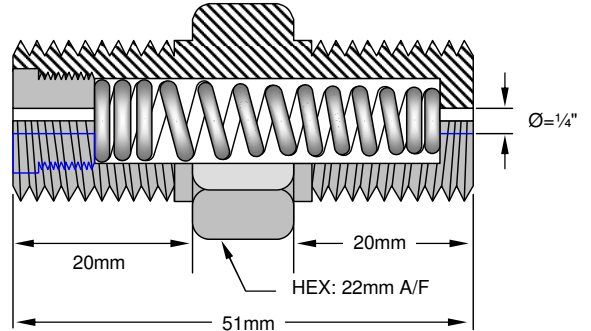
**TEMPERATURE SENSOR ACCESSORIES**

**Spring Loaded Nipple**

Constructed out of SS316 and suitable for spring loading 1/4" sensors and MI cable. Complete assembly come with self gripping SS spring and SS316 retainer screw which holds the spring in place.



**Model 3506**

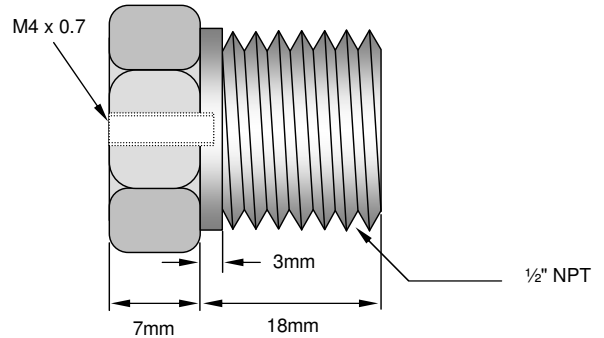


**Thermowell Plug**

Hexagonal solid plugs with 6.0" ball chain attached, suitable for plugging thermowells and other field devices. Choices of 3 different material.

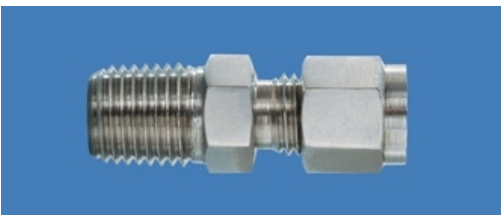


**Model 5560, 5563, 5566**

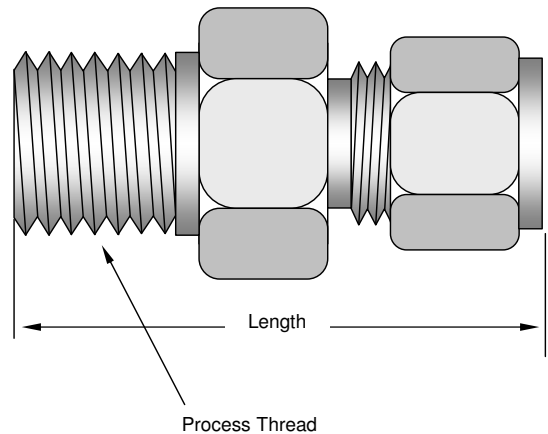


**Compression Fitting**

This family of SS316 compression fittings is suitable for attaching sensors or MI cables in variety of applications.



**Model 8662, 8663, 8664, 8665, 8666, 8667, 8668**



Model	Process Thread	Fitting Diameter	Length
8662	1/8 - 27 NPT	6.35mm(0.25")	33mm(1.3")
8663	1/4 - 18 NPT	6.35mm(0.25")	38mm(1.5")
8664	1/2 - 14 NPT	6.35mm(0.25")	45mm(1.75")
8665	1/2 - 14 NPT	9.5mm(0.375")	45mm(1.75")
8666	1/4 - 18 NPT	6.0mm(0.24")	38mm(1.5")
8667	1/2 - 14 NPT	6.0mm(0.24")	45mm(1.75")
8668	1/2 - 14 NPT	9.0mm(0.35")	45mm(1.75")