

FIELD MOUNTED PROCESS INDICATOR WITH DUAL RELAYS

8080RR

- 4~20MA INPUT
- 4 DIGIT LED DISPLAY IN ENGINEERING UNITS
- CHOICE OF ALUMINUM OR SS316 ENCLOSURE
- EXPLOSION PROOF CERTIFIED
- TWO INDEPENDENT USER ASSIGNABLE ALARMS
- WALL OR PIPE MOUNTING
- 3 YEAR WARRANTY



Introduction

IME Model 8080RR Digital Indicators allow the process variable from any transmitter to be monitored in engineering units and 2 corresponding alarms to be assigned. Both alarms can be assigned either high or low within the selected range.

Description

IME Model 8080RR Indicators are designed for use in process industries where vibration, inclement weather and corrosive atmospheres prevail. The electronics are enclosed in a copper-free epoxy coated Aluminum housing and for more aggressive environments, a SS316 housing is optionally available. The housings meet the requirements of NEMA 4X / IP68, and are also certified Explosion Proof by FM/CSA/ATEX/IECEX.

LED Meter

8080RR has 4 digit LED display and may be configured to read from -999 to 9999 with 4-20mA input signal. The decimal point location, engineering units, alarm settings...etc can be adjusted via the membrane keys on the front panel.

Mounting

A wide choice of stainless steel mounting brackets are available for mounting the Model 8080RR on either a 2" pipe or wall.

Certification System

	CLASS I, DIV I GROUPS B, C AND D CLASS II/III, DIV I GROUPS E, F AND G NEMA 4X, T6
--	--

	CLASS I, DIV I GROUPS B, C AND D CLASS II, DIV I GROUPS E, F AND G CLASS III, NEMA 4X, T6
--	---

	I M2 or II 2G D Ex d I Mb or Ex D IIC T6 Gb Ex tb IIIC T85°C Db IP68 Ta = -40°C to +60°C
--	---

	Ex d I Mb or Ex D IIC T6 Gb Ex tb IIIC T85°C Db IP68 Ta = -40°C to +60°C
--	--

Functional Specifications

Indication Accuracy

0.1% of Calibrated range +/- 1 digit

Set Point Adjustment

10~100% of full scale, user selectable

Reset

Automatically when the input falls below the alarm set point by approximately +/- 0.5% of full scale.

Alarm Set Point Accuracy

+/-0.5% of full scale.

Alarm Status Indication

LED on front panel

Display Height

12.5mm (1/2") high

Alarm Output

2 sets SPDT, 1 form C, rated 10A @ 250V AC, 50/60Hz

Stability Over Time

0.1% of calibrated range +/- 1 digit over 6 months

Over Range Indication

Flashing of display

Response Time

Typically 75ms

Supply Voltage

18~28V DC

Operating Temperature

-50~70°C

Weight

0.9Kg (2LBS) for Aluminum Unit and 1.4Kg (3LBS) for SS316 unit

Material of Construction

Enclosure epoxy coated Copper-Free Aluminum or SS316 as specified

O Rings

Buna N

FIELD MOUNTED PROCESS INDICATOR WITH DUAL RELAYS

8080RR

Both the Aluminum and the SS316 housing are certified NEMA 4X / IP68. As indicated below. IME model 8080RR can be optionally provided with certification and a stainless steel name plate for use in Hazardous Area applications.

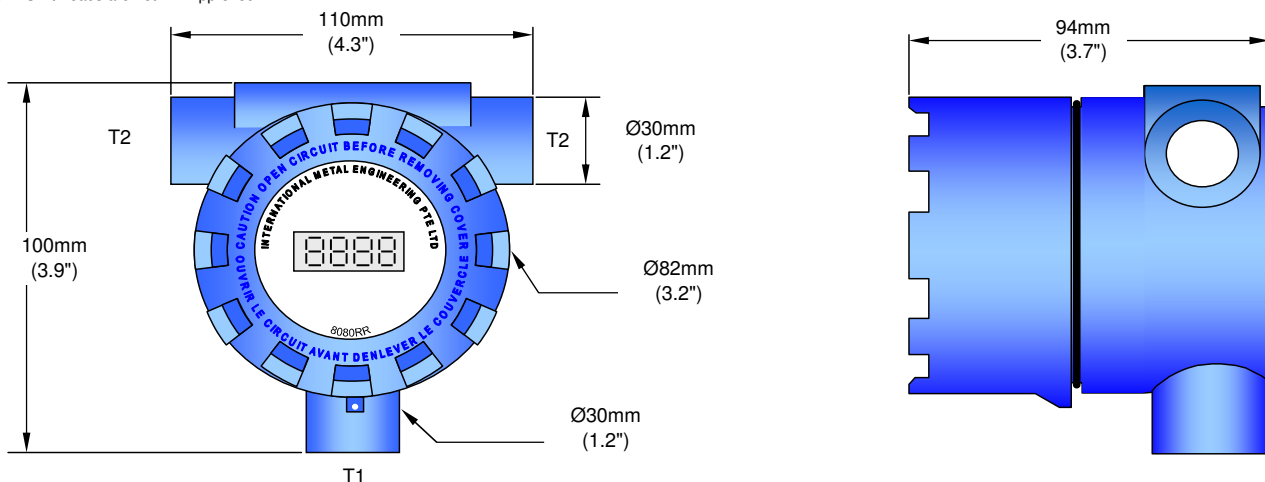
Ordering Information

Model	Description																																																																																	
8080RR	Field Mounted Process Indicator with Dual Relays																																																																																	
	<table border="1"> <thead> <tr> <th>Code</th> <th>Options, Housing</th> </tr> </thead> <tbody> <tr> <td>A</td> <td>Die cast Aluminum, Epoxy Coated</td> </tr> <tr> <td>T</td> <td>SS316, Electro Polished</td> </tr> <tr> <th>Code</th> <th>Instrument Connection (T1)</th> <th>Conduit Size (T2)</th> </tr> <tr> <td>01</td> <td>M16 x 2P (See note 1)</td> <td>3/4" NPT</td> </tr> <tr> <td>02</td> <td>M16 x 2P (See note 1)</td> <td>1/2" NPT</td> </tr> <tr> <td>03</td> <td>M16 x 2P (See note 1)</td> <td>M20 x 1.5P (See note 2)</td> </tr> <tr> <td>04</td> <td>1/2" NPT</td> <td>3/4" NPT</td> </tr> <tr> <td>05</td> <td>1/2" NPT</td> <td>1/2" NPT</td> </tr> <tr> <td>06</td> <td>1/2" NPT</td> <td>M20 x 1.5P (See note 2)</td> </tr> <tr> <td>07</td> <td>3/4" NPT</td> <td>3/4" NPT</td> </tr> <tr> <td>08</td> <td>3/4" NPT</td> <td>1/2" NPT</td> </tr> <tr> <td>09</td> <td>3/4" NPT</td> <td>M20 x 1.5P (See note 2)</td> </tr> <tr> <td>10</td> <td>1/2" BSP (See note 2 & 3)</td> <td>3/4" NPT</td> </tr> <tr> <td>11</td> <td>1/2" BSP (See note 2 & 3)</td> <td>1/2" NPT</td> </tr> <tr> <td>12</td> <td>1/2" BSP (See note 2 & 3)</td> <td>M20 x 1.5P (See note 2)</td> </tr> <tr> <td>13</td> <td>3/4" NPT</td> <td>None</td> </tr> <tr> <td>14</td> <td>M20 x 1.5P (See note 2)</td> <td>None</td> </tr> <tr> <td>16</td> <td>1/2" BSP (See note 2 & 3)</td> <td>None</td> </tr> <tr> <td>17</td> <td>1/2" NPT</td> <td>None</td> </tr> <tr> <th>Code</th> <th>Certification</th> </tr> <tr> <td>NN</td> <td>None</td> </tr> <tr> <td>E1</td> <td>FM / CSA / ATEX / IECEx Explosion Proof Certified, NEMA 4X, IP68, T6</td> </tr> <tr> <th>Code</th> <th>Accessories</th> </tr> <tr> <td>RC</td> <td>IME Model 175RC Mounting Bracket</td> </tr> <tr> <td>PM</td> <td>IME Model 175PM Mounting Bracket</td> </tr> <tr> <td>NR</td> <td>IME Model 175NR Mounting Bracket</td> </tr> <tr> <td>MM</td> <td>IME Model 175MM Mounting Bracket</td> </tr> <tr> <th>Code</th> <th>2 Inch "U" Bolt with Nuts and Washers</th> </tr> <tr> <td>00</td> <td>None</td> </tr> <tr> <td>01</td> <td>IME Model 17508, 1 Set (For IME Model 175RC)</td> </tr> <tr> <td>02</td> <td>IME Model 17508, 2 Sets (For IME Model 175PM & 175NR)</td> </tr> </tbody> </table>	Code	Options, Housing	A	Die cast Aluminum, Epoxy Coated	T	SS316, Electro Polished	Code	Instrument Connection (T1)	Conduit Size (T2)	01	M16 x 2P (See note 1)	3/4" NPT	02	M16 x 2P (See note 1)	1/2" NPT	03	M16 x 2P (See note 1)	M20 x 1.5P (See note 2)	04	1/2" NPT	3/4" NPT	05	1/2" NPT	1/2" NPT	06	1/2" NPT	M20 x 1.5P (See note 2)	07	3/4" NPT	3/4" NPT	08	3/4" NPT	1/2" NPT	09	3/4" NPT	M20 x 1.5P (See note 2)	10	1/2" BSP (See note 2 & 3)	3/4" NPT	11	1/2" BSP (See note 2 & 3)	1/2" NPT	12	1/2" BSP (See note 2 & 3)	M20 x 1.5P (See note 2)	13	3/4" NPT	None	14	M20 x 1.5P (See note 2)	None	16	1/2" BSP (See note 2 & 3)	None	17	1/2" NPT	None	Code	Certification	NN	None	E1	FM / CSA / ATEX / IECEx Explosion Proof Certified, NEMA 4X, IP68, T6	Code	Accessories	RC	IME Model 175RC Mounting Bracket	PM	IME Model 175PM Mounting Bracket	NR	IME Model 175NR Mounting Bracket	MM	IME Model 175MM Mounting Bracket	Code	2 Inch "U" Bolt with Nuts and Washers	00	None	01	IME Model 17508, 1 Set (For IME Model 175RC)	02	IME Model 17508, 2 Sets (For IME Model 175PM & 175NR)
Code	Options, Housing																																																																																	
A	Die cast Aluminum, Epoxy Coated																																																																																	
T	SS316, Electro Polished																																																																																	
Code	Instrument Connection (T1)	Conduit Size (T2)																																																																																
01	M16 x 2P (See note 1)	3/4" NPT																																																																																
02	M16 x 2P (See note 1)	1/2" NPT																																																																																
03	M16 x 2P (See note 1)	M20 x 1.5P (See note 2)																																																																																
04	1/2" NPT	3/4" NPT																																																																																
05	1/2" NPT	1/2" NPT																																																																																
06	1/2" NPT	M20 x 1.5P (See note 2)																																																																																
07	3/4" NPT	3/4" NPT																																																																																
08	3/4" NPT	1/2" NPT																																																																																
09	3/4" NPT	M20 x 1.5P (See note 2)																																																																																
10	1/2" BSP (See note 2 & 3)	3/4" NPT																																																																																
11	1/2" BSP (See note 2 & 3)	1/2" NPT																																																																																
12	1/2" BSP (See note 2 & 3)	M20 x 1.5P (See note 2)																																																																																
13	3/4" NPT	None																																																																																
14	M20 x 1.5P (See note 2)	None																																																																																
16	1/2" BSP (See note 2 & 3)	None																																																																																
17	1/2" NPT	None																																																																																
Code	Certification																																																																																	
NN	None																																																																																	
E1	FM / CSA / ATEX / IECEx Explosion Proof Certified, NEMA 4X, IP68, T6																																																																																	
Code	Accessories																																																																																	
RC	IME Model 175RC Mounting Bracket																																																																																	
PM	IME Model 175PM Mounting Bracket																																																																																	
NR	IME Model 175NR Mounting Bracket																																																																																	
MM	IME Model 175MM Mounting Bracket																																																																																	
Code	2 Inch "U" Bolt with Nuts and Washers																																																																																	
00	None																																																																																	
01	IME Model 17508, 1 Set (For IME Model 175RC)																																																																																	
02	IME Model 17508, 2 Sets (For IME Model 175PM & 175NR)																																																																																	

8080RR	A	02	E1	PM	02	← Typical Model Number
--------	---	----	----	----	----	------------------------

Note:

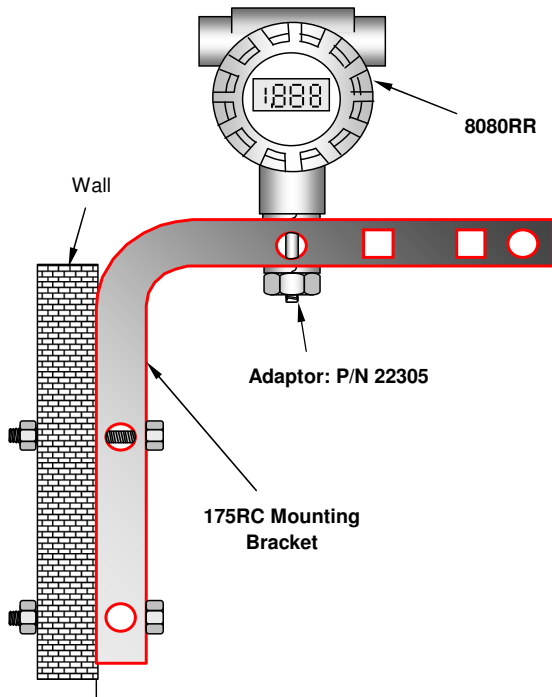
- 1 Ports with M16 x 2P thread are not through holes, they are for Mounting only.
- 2 1/2" BSP & M20 x 1.5P Threads are not Certified by CSA
- 3 1/2" BSP threads are not FM Approved.



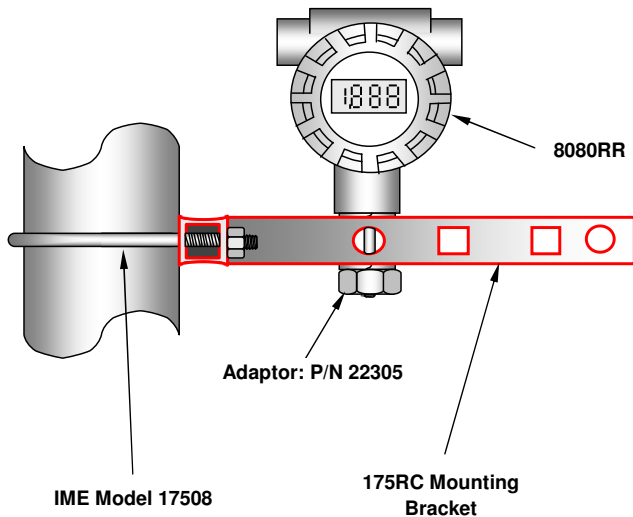
MODEL 175RC MOUNTING BRACKET

IME MODEL 175RC

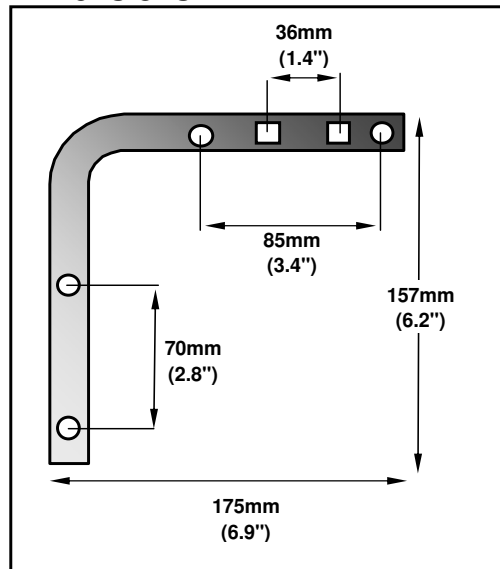
PANEL / WALL MOUNTING CONFIGURATION
9 mm or 5/16 bolts for mounting bracket to wall or panel
(Not Supplied)
Adaptor P/N: 22305 (Optional)



2" PIPE MOUNTING CONFIGURATION
2 Inch "U" Bolt with Nuts and Washers (Optional)
Adaptor P/N: 22305 (Optional)



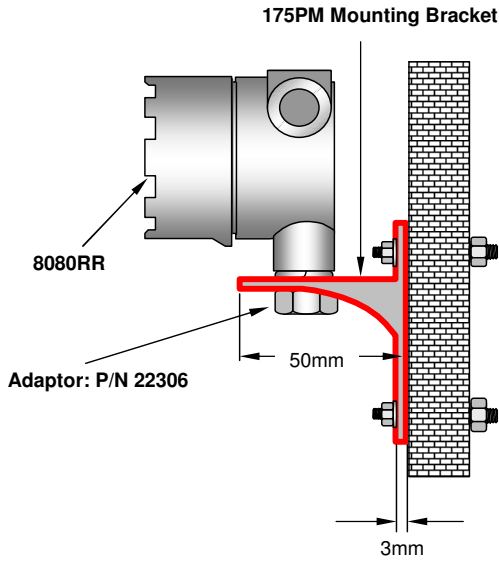
Dimensions



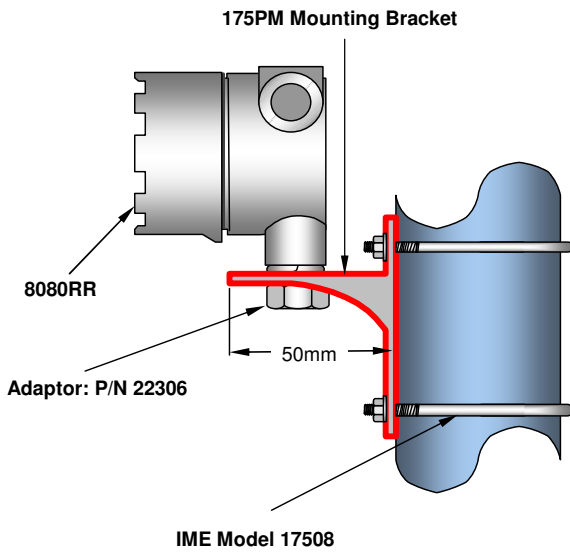
MODEL 175PM MOUNTING BRACKET

IME MODEL 175PM

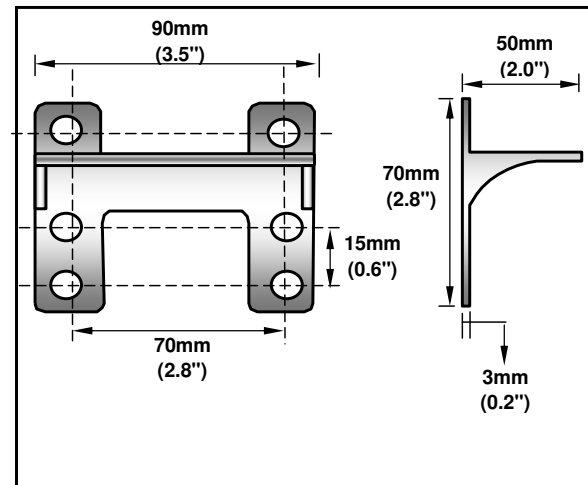
PANEL / WALL MOUNTING CONFIGURATION
 9 mm or 5/16 bolts for mounting bracket to wall or panel
 (Not Supplied)
 Adaptor P/N: 22306 (Optional)



2" PIPE MOUNTING CONFIGURATION
 2 Inch "U" Bolt with Nuts and Washers (Optional)
 Adaptor P/N: 22306 (Optional)



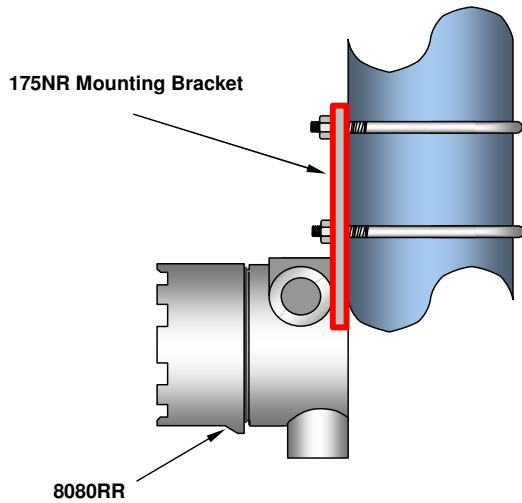
Dimensions



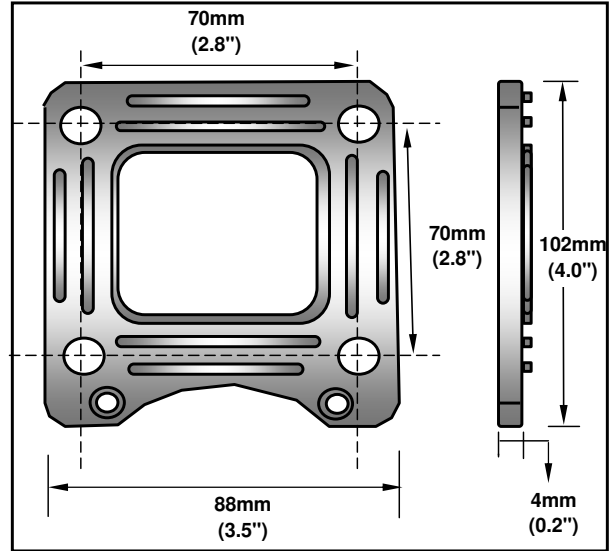
MODEL 175NR AND 175MM MOUNTING BRACKET

IME MODEL 175NR

2" PIPE MOUNTING CONFIGURATION
2 Inch "U" Bolt with Nuts and Washers

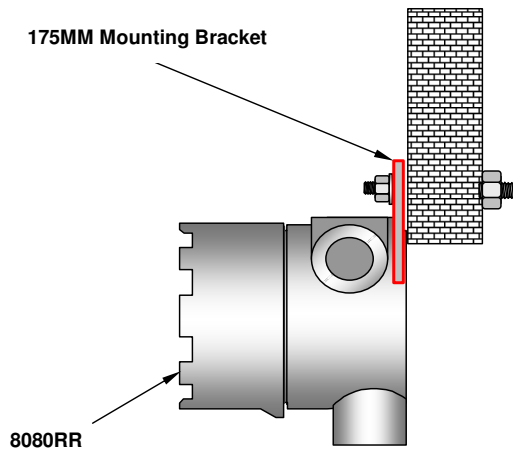


Dimensions



IME MODEL 175MM

PANEL / WALL MOUNTING CONFIGURATION
9 mm or 5/16 bolts for mounting bracket to wall or panel
(Not Supplied)



Dimensions

