

TEMPERATURE INDICATOR WITH DUAL RELAYS

8080PR

- INPUT THERMOCOUPLE AND RTD
- 4 DIGIT LED DISPLAY IN DEGREE C OR F
- RUGGED NEMA4X ENCLOSURE
- CHOICE OF ALUMINUM OR SS316 ENCLOSURE
- EXPLOSION PROOF CERTIFIED
- 3 YEAR WARRANTY



Introduction

IME Model 8080PR allows 2 independent alarms to be assigned over the temperature range of the sensor. The unit will accept an input from a Pt100 RTD or Type J or K thermocouple and provide an indication on a bright 4 digit LED. The unit serves a dual purpose since in addition to local indication of temperature, which is switch selectable to read °C or °F, it also serves as an accurate and repeatable temperature switch.

Description

IME Model 8080PR Temperature Indicators are designed for using in process industries where vibration, inclement weather and corrosive atmospheres prevail. The electronics are enclosed in a copper-free epoxy coated Aluminum housing. For more aggressive environments, a SS316 housing is also available. Housings meet the requirements of NEMA 4X & IP68, and are also certified Explosion Proof by FM/CSA/ATEX/IECEX.


LED Meter


The Model 8080PR has a 4 digit LED display and may be configured to read -999 to 9999. The decimal point location, choice of °C or °F, alarm settings etc can be adjusted via the Remote Controller. This feature allows the unit to be re-ranged in the field through the safety glass window, without even opening the cover of the instrument.


Mounting


A wide choice of stainless steel mounting brackets are available for mounting the Model 8080PR on either a 2" pipe or wall.

Certification System

	CLASS I, DIV I GROUPS B, C AND D CLASS II/III, DIV I GROUPS E, F AND G NEMA 4X, T6
--	--

	CLASS I, DIV I GROUPS B, C AND D CLASS II, DIV I GROUPS E, F AND G CLASS III, NEMA 4X, T6
--	---

	I M2 or II 2G D Ex d I Mb or Ex D IIC T6 Gb Ex tb IIIC T85 °C Db IP68 Ta = -40 °C to +60 °C
--	--

	Ex d I Mb or Ex D IIC T6 Gb Ex tb IIIC T85 °C Db IP68 Ta = -40 °C to +60 °C
--	---

Functional Specifications

Indication Accuracy

0.1% of Calibrated range +/- 1 digit

Set Point Adjustment

10~100% of full scale, user selectable

Reset

Automatically when the input falls below the alarm set point by approximately +/- 0.5% of full scale.

Alarm Set Point Accuracy

+/-0.5% of full scale.

Alarm Status Indication

LED on front panel

Display Height

12.5mm (1/2") high

Alarm Output

2 sets SPDT, 1 from C, rated 10A @ 250V AC, 50/60Hz

Stability Over Time

0.1% of calibrated range +/- 1 digit over 6 months

Over Range Indication

Flashing of display

Response Time

Typically 75ms

Supply Voltage

18~28V DC

Operating Temperature

-50~70°C

Weight

0.9Kg (2LBS) for Aluminum Unit and 1.4Kg (3LBS) for SS316 unit

Material of Construction

Enclosure epoxy coated Copper-Free Aluminum or SS316 as specified

O Rings

Buna N

Optional Accessories

Mounting Brackets (IME Model 175PM, 175RC, 175NR, 175MM)

Both the Aluminum and the SS316 housing are certified NEMA 4X & IP68. As indicated below. IME model 8080PR can be optionally provided with certification and a stainless steel name plate for use in Hazardous Area applications.

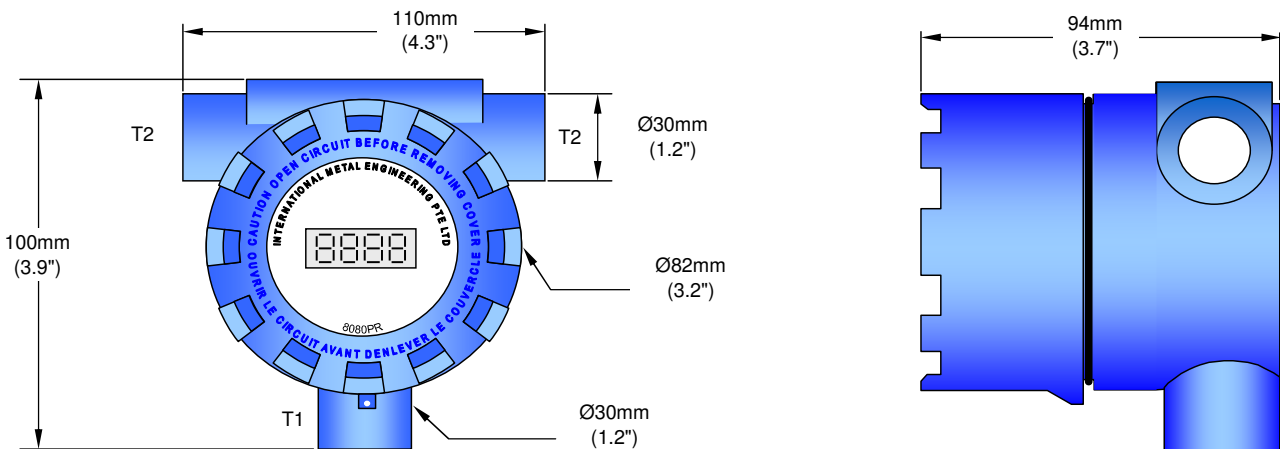
Ordering Information

Model	Description																																																			
8080PR	Field Mounted Temperature Indicator with Dual Relays																																																			
	<table border="1"> <thead> <tr> <th>Code</th> <th>Options, Housing</th> </tr> </thead> <tbody> <tr> <td>A</td> <td>Die cast Aluminum, Epoxy Coated</td> </tr> <tr> <td>T</td> <td>SS316, Electro Polished</td> </tr> </tbody> </table>	Code	Options, Housing	A	Die cast Aluminum, Epoxy Coated	T	SS316, Electro Polished																																													
Code	Options, Housing																																																			
A	Die cast Aluminum, Epoxy Coated																																																			
T	SS316, Electro Polished																																																			
	<table border="1"> <thead> <tr> <th>Code</th> <th>Instrument Connection (T1)</th> <th>Conduit Size (T2)</th> </tr> </thead> <tbody> <tr><td>01</td><td>M16 x 2P (See note 1)</td><td>3/4" NPT</td></tr> <tr><td>02</td><td>M16 x 2P (See note 1)</td><td>1/2" NPT</td></tr> <tr><td>03</td><td>M16 x 2P (See note 1)</td><td>M20 x 1.5P</td></tr> <tr><td>04</td><td>1/2" NPT</td><td>3/4" NPT</td></tr> <tr><td>05</td><td>1/2" NPT</td><td>1/2" NPT</td></tr> <tr><td>06</td><td>1/2" NPT</td><td>M20 x 1.5P</td></tr> <tr><td>07</td><td>3/4" NPT</td><td>3/4" NPT</td></tr> <tr><td>08</td><td>3/4" NPT</td><td>1/2" NPT</td></tr> <tr><td>09</td><td>3/4" NPT</td><td>M20 x 1.5P</td></tr> <tr><td>10</td><td>1/2" BSP</td><td>3/4" NPT</td></tr> <tr><td>11</td><td>1/2" BSP</td><td>1/2" NPT</td></tr> <tr><td>12</td><td>1/2" BSP</td><td>M20 x 1.5P</td></tr> <tr><td>13</td><td>3/4" NPT</td><td>None</td></tr> <tr><td>14</td><td>M20 x 1.5P</td><td>None</td></tr> <tr><td>16</td><td>1/2" BSP</td><td>None</td></tr> <tr><td>17</td><td>1/2" NPT</td><td>None</td></tr> </tbody> </table>	Code	Instrument Connection (T1)	Conduit Size (T2)	01	M16 x 2P (See note 1)	3/4" NPT	02	M16 x 2P (See note 1)	1/2" NPT	03	M16 x 2P (See note 1)	M20 x 1.5P	04	1/2" NPT	3/4" NPT	05	1/2" NPT	1/2" NPT	06	1/2" NPT	M20 x 1.5P	07	3/4" NPT	3/4" NPT	08	3/4" NPT	1/2" NPT	09	3/4" NPT	M20 x 1.5P	10	1/2" BSP	3/4" NPT	11	1/2" BSP	1/2" NPT	12	1/2" BSP	M20 x 1.5P	13	3/4" NPT	None	14	M20 x 1.5P	None	16	1/2" BSP	None	17	1/2" NPT	None
Code	Instrument Connection (T1)	Conduit Size (T2)																																																		
01	M16 x 2P (See note 1)	3/4" NPT																																																		
02	M16 x 2P (See note 1)	1/2" NPT																																																		
03	M16 x 2P (See note 1)	M20 x 1.5P																																																		
04	1/2" NPT	3/4" NPT																																																		
05	1/2" NPT	1/2" NPT																																																		
06	1/2" NPT	M20 x 1.5P																																																		
07	3/4" NPT	3/4" NPT																																																		
08	3/4" NPT	1/2" NPT																																																		
09	3/4" NPT	M20 x 1.5P																																																		
10	1/2" BSP	3/4" NPT																																																		
11	1/2" BSP	1/2" NPT																																																		
12	1/2" BSP	M20 x 1.5P																																																		
13	3/4" NPT	None																																																		
14	M20 x 1.5P	None																																																		
16	1/2" BSP	None																																																		
17	1/2" NPT	None																																																		
	<table border="1"> <thead> <tr> <th>Code</th> <th>Certification</th> </tr> </thead> <tbody> <tr> <td>NN</td> <td>None</td> </tr> <tr> <td>E1</td> <td>FM / CSA / ATEX / IECEx Explosion Proof Certified, NEMA 4X, IP68, T6</td> </tr> </tbody> </table>	Code	Certification	NN	None	E1	FM / CSA / ATEX / IECEx Explosion Proof Certified, NEMA 4X, IP68, T6																																													
Code	Certification																																																			
NN	None																																																			
E1	FM / CSA / ATEX / IECEx Explosion Proof Certified, NEMA 4X, IP68, T6																																																			
	<table border="1"> <thead> <tr> <th>Code</th> <th>Accessories</th> </tr> </thead> <tbody> <tr> <td>RC</td> <td>IME Model 175RC Mounting Bracket</td> </tr> <tr> <td>PM</td> <td>IME Model 175PM Mounting Bracket</td> </tr> <tr> <td>NR</td> <td>IME Model 175NR Mounting Bracket</td> </tr> <tr> <td>MM</td> <td>IME Model 175MM Mounting Bracket</td> </tr> </tbody> </table>	Code	Accessories	RC	IME Model 175RC Mounting Bracket	PM	IME Model 175PM Mounting Bracket	NR	IME Model 175NR Mounting Bracket	MM	IME Model 175MM Mounting Bracket																																									
Code	Accessories																																																			
RC	IME Model 175RC Mounting Bracket																																																			
PM	IME Model 175PM Mounting Bracket																																																			
NR	IME Model 175NR Mounting Bracket																																																			
MM	IME Model 175MM Mounting Bracket																																																			
	<table border="1"> <thead> <tr> <th>Code</th> <th>2 Inch "U" Bolt with Nuts and Washers</th> </tr> </thead> <tbody> <tr> <td>00</td> <td>None</td> </tr> <tr> <td>01</td> <td>IME Model 17508, 1 Set (For IME Model 175RC)</td> </tr> <tr> <td>02</td> <td>IME Model 17508, 2 Sets (For IME Model 175PM & 175NR)</td> </tr> </tbody> </table>	Code	2 Inch "U" Bolt with Nuts and Washers	00	None	01	IME Model 17508, 1 Set (For IME Model 175RC)	02	IME Model 17508, 2 Sets (For IME Model 175PM & 175NR)																																											
Code	2 Inch "U" Bolt with Nuts and Washers																																																			
00	None																																																			
01	IME Model 17508, 1 Set (For IME Model 175RC)																																																			
02	IME Model 17508, 2 Sets (For IME Model 175PM & 175NR)																																																			

8080PR	A	02	E1	PM	02	← Typical Model Number
--------	---	----	----	----	----	------------------------

Note:

1 Ports with M16 x 2P thread are not through holes, they are for Mounting only.

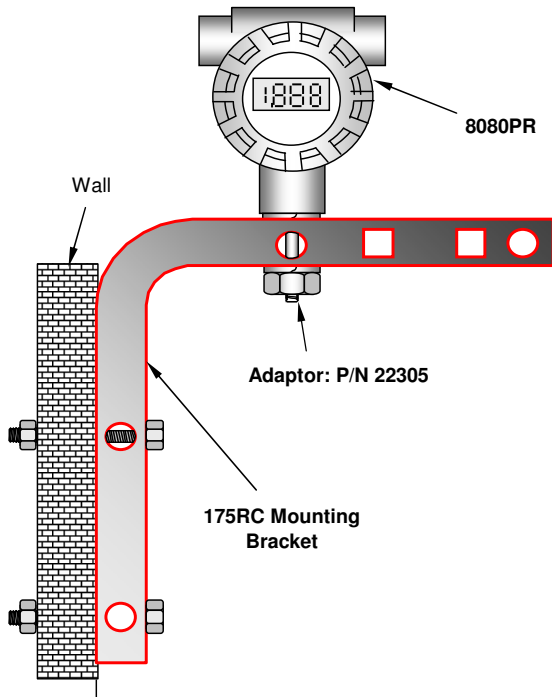


MODEL 175RC MOUNTING BRACKET

IME MODEL 175RC

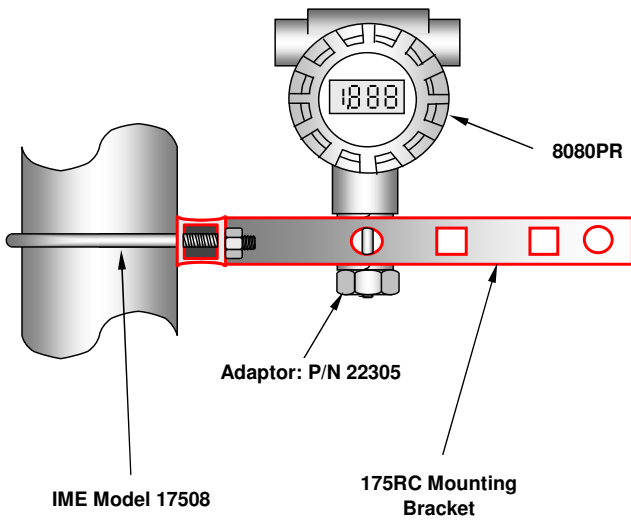
PANEL / WALL MOUNTING CONFIGURATION

9 mm or 5/16 bolts for mounting bracket to wall or panel
(Not Supplied)
Adaptor P/N: 22305 (Optional)

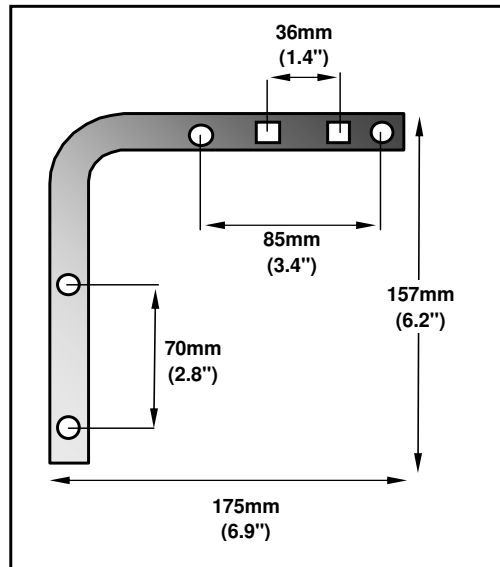


2" PIPE MOUNTING CONFIGURATION

2 Inch "U" Bolt with Nuts and Wahsers (Optional)
Adaptor P/N: 22305 (Optional)



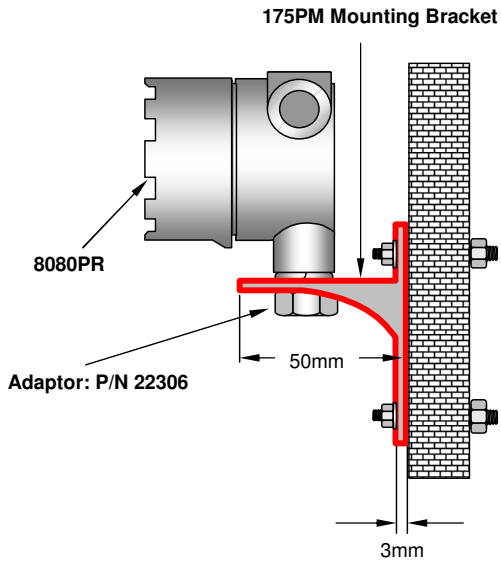
Dimensions



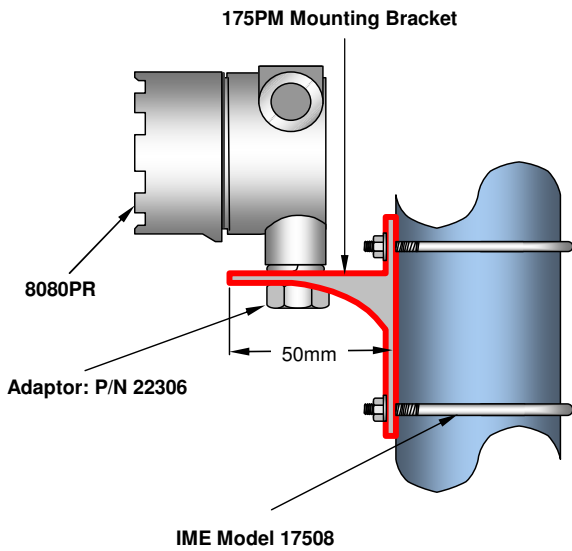
MODEL 175PM MOUNTING BRACKET

IME MODEL 175PM

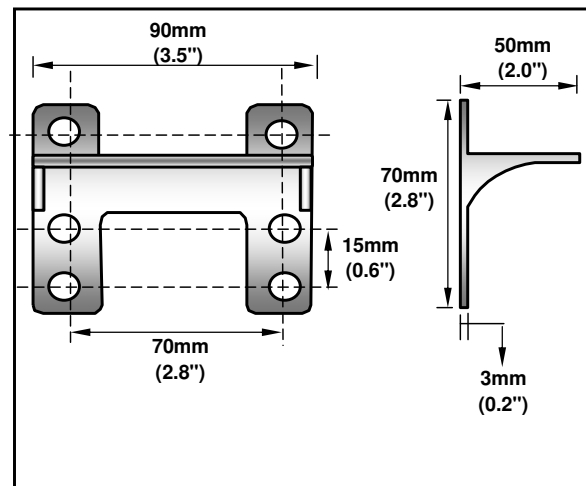
PANEL / WALL MOUNTING CONFIGURATION
 9 mm or 5/16 bolts for mounting bracket to wall or panel
 (Not Supplied)
 Adaptor P/N: 22306 (Optional)



2" PIPE MOUNTING CONFIGURATION
 2 Inch "U" Bolt with Nuts and Washers (Optional)
 Adaptor P/N: 22306 (Optional)



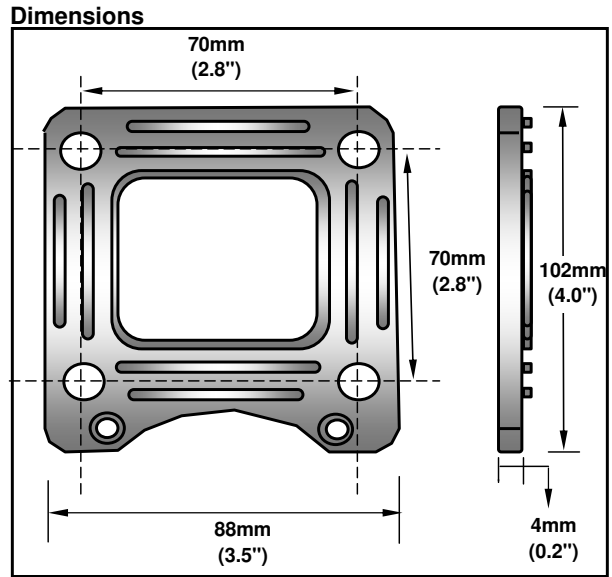
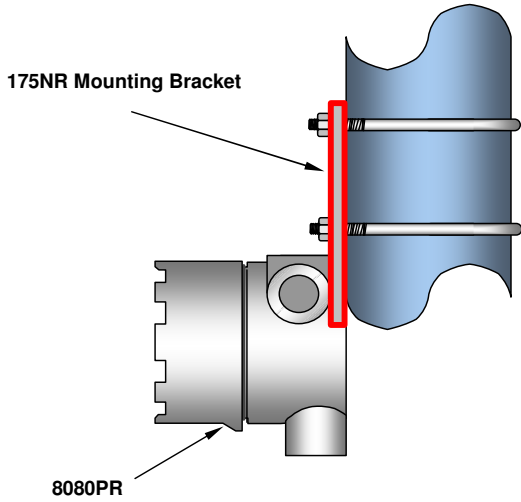
Dimensions



MODEL 175NR AND 175MM MOUNTING BRACKET

IME MODEL 175NR

2" PIPE MOUNTING CONFIGURATION
2 Inch "U" Bolt with Nuts and Washers



IME MODEL 175MM

PANEL / WALL MOUNTING CONFIGURATION
9 mm or 5/16 bolts for mounting bracket to wall or panel
(Not Supplied)

