

**FIELD MOUNTED EXPLOSION PROOF LOOP POWERED INDICATOR**

**8080PP**

- 4-20MA INPUT, LOOP POWERED
- 4 DIGIT LCD DISPLAY IN ENGINEERING UNITS
- CHOICE OF ALUMINUM OR SS316 ENCLOSURE
- EXPLOSION PROOF CERTIFIED
- WALL OR PIPE MOUNTING
- 3 YEAR WARRANTY



**Introduction**

IME Model 8080PP Loop Powered Digital Indicators allow the process variable from any 4-20mA current source to be monitored. Since the unit derives its power from the loop, no additional power supply or wiring is needed. Because of its low voltage drop (5.5 Volts at 20mA), it can be incorporated into almost any 2 wire loop, where local indication of a process variable is needed.

**Description**

IME Model 8080PP Indicators are designed for use in process industries where vibration, inclement weather and corrosive atmospheres prevail. The electronics are enclosed in a copper-free epoxy coated Aluminum housing and for more aggressive environments, a SS316 housing is optionally available. The housings meet the requirements of NEMA 4X & IP68, and are also certified Explosion Proof by FM/CSA/ATEX/IECEX.


**LCD Meter**


The Model 8080PP has 4 digit display and may be configured to read -9999 to 9999 with a 4-20mA input signal. The decimal point location and engineering units can be adjusted using membrane switches, eliminating all potentiometric adjustments.


**Mounting**


A wide choice of stainless steel mounting brackets are available for mounting the Model 8080PP on either a 2" pipe or wall.

**Certification System**

	CLASS I, DIV I GROUPS B, C AND D CLASS II/III, DIV I GROUPS E, F AND G NEMA 4X, T6
--	--

	CLASS I, DIV I GROUPS B, C AND D CLASS II, DIV I GROUPS E, F AND G CLASS III, NEMA 4X, T6
---	---

	I M2                      or                      II 2G D Ex d I Mb                      or                      Ex D IIC T6 Gb Ex tb IIIC T85°C Db IP68 Ta = -40°C to +60°C
---	---

	Ex d I Mb                      or                      Ex D IIC T6 Gb Ex tb IIIC T85°C Db IP68 Ta = -40°C to +60°C
---	--

**Functional Specifications**

**Indication Accuracy**

0.1% of calibrated range +/-1 digit

**Calibration**

Via membrane switches on the front panel

**Display Height**

12.5mm (½") high LCD, user selectable decimal point

**Stability Over Time**

0.1% of calibrated range +/-1 digit over 6 months

**Over Range Indication**

Indication of "1" on display

**Response Time**

Typically 75ms

**Failure Mode**

Failure will not affect the loop integrity

**Voltage Drop**

5.5V at 20mA

**Operating Temperature**

-20 to 70°C (Optional -40 to 70°C)

**Weight**

0.9Kg (2LBS) for Aluminum Unit and 1.4Kg (3LBS) for SS316 Unit

**Material of Construction**

Enclosure epoxy coated Copper-Free Aluminum or SS316 as specified

**O Rings**

Buna N

**Optional Accessories**

Mounting Brackets (IME Model 175PM, 175RC, 175NR, 175MM)

**FIELD MOUNTED EXPLOSION PROOF LOOP POWERED INDICATOR**

**8080PP**

Both the Aluminum and the SS316 housing are certified NEMA 4X & IP68. As indicated below. IME model 8080PP can be optionally provided with certification and a stainless steel name plate for use in Hazardous Area applications.

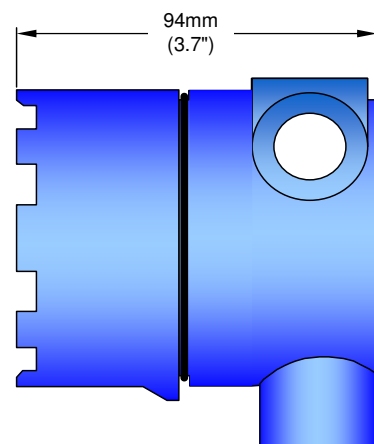
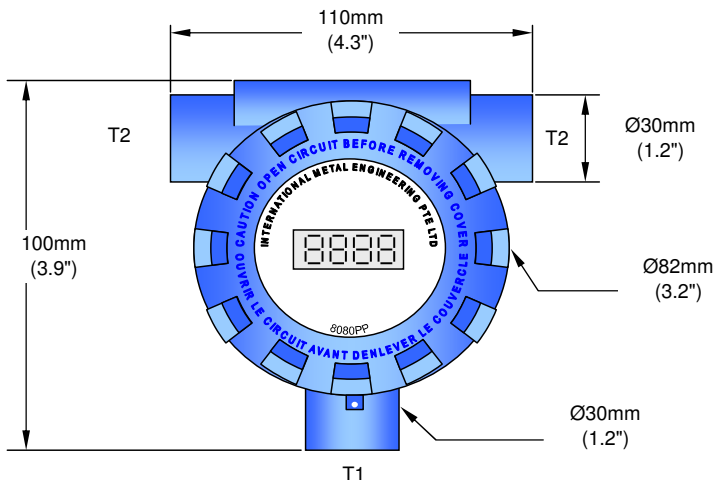
**Ordering Information**

Model	Description																																																			
8080PP	Field Mounted Loop Powered Process Indicator with 4 Digital LCD Display																																																			
	<table border="1"> <thead> <tr> <th>Code</th> <th>Options, Housing</th> </tr> </thead> <tbody> <tr> <td>A</td> <td>Die cast Aluminum, Epoxy Coated</td> </tr> <tr> <td>T</td> <td>SS316, Electro Polished</td> </tr> </tbody> </table>	Code	Options, Housing	A	Die cast Aluminum, Epoxy Coated	T	SS316, Electro Polished																																													
Code	Options, Housing																																																			
A	Die cast Aluminum, Epoxy Coated																																																			
T	SS316, Electro Polished																																																			
	<table border="1"> <thead> <tr> <th>Code</th> <th>Instrument Connection (T1)</th> <th>Conduit Size (T2)</th> </tr> </thead> <tbody> <tr><td>01</td><td>M16 x 2P (See note 1)</td><td>3/4" NPT</td></tr> <tr><td>02</td><td>M16 x 2P (See note 1)</td><td>1/2" NPT</td></tr> <tr><td>03</td><td>M16 x 2P (See note 1)</td><td>M20 x 1.5P</td></tr> <tr><td>04</td><td>1/2" NPT</td><td>3/4" NPT</td></tr> <tr><td>05</td><td>1/2" NPT</td><td>1/2" NPT</td></tr> <tr><td>06</td><td>1/2" NPT</td><td>M20 x 1.5P</td></tr> <tr><td>07</td><td>3/4" NPT</td><td>3/4" NPT</td></tr> <tr><td>08</td><td>3/4" NPT</td><td>1/2" NPT</td></tr> <tr><td>09</td><td>3/4" NPT</td><td>M20 x 1.5P</td></tr> <tr><td>10</td><td>1/2" BSP</td><td>3/4" NPT</td></tr> <tr><td>11</td><td>1/2" BSP</td><td>1/2" NPT</td></tr> <tr><td>12</td><td>1/2" BSP</td><td>M20 x 1.5P</td></tr> <tr><td>13</td><td>3/4" NPT</td><td>None</td></tr> <tr><td>14</td><td>M20 x 1.5P</td><td>None</td></tr> <tr><td>16</td><td>1/2" BSP</td><td>None</td></tr> <tr><td>17</td><td>1/2" NPT</td><td>None</td></tr> </tbody> </table>	Code	Instrument Connection (T1)	Conduit Size (T2)	01	M16 x 2P (See note 1)	3/4" NPT	02	M16 x 2P (See note 1)	1/2" NPT	03	M16 x 2P (See note 1)	M20 x 1.5P	04	1/2" NPT	3/4" NPT	05	1/2" NPT	1/2" NPT	06	1/2" NPT	M20 x 1.5P	07	3/4" NPT	3/4" NPT	08	3/4" NPT	1/2" NPT	09	3/4" NPT	M20 x 1.5P	10	1/2" BSP	3/4" NPT	11	1/2" BSP	1/2" NPT	12	1/2" BSP	M20 x 1.5P	13	3/4" NPT	None	14	M20 x 1.5P	None	16	1/2" BSP	None	17	1/2" NPT	None
Code	Instrument Connection (T1)	Conduit Size (T2)																																																		
01	M16 x 2P (See note 1)	3/4" NPT																																																		
02	M16 x 2P (See note 1)	1/2" NPT																																																		
03	M16 x 2P (See note 1)	M20 x 1.5P																																																		
04	1/2" NPT	3/4" NPT																																																		
05	1/2" NPT	1/2" NPT																																																		
06	1/2" NPT	M20 x 1.5P																																																		
07	3/4" NPT	3/4" NPT																																																		
08	3/4" NPT	1/2" NPT																																																		
09	3/4" NPT	M20 x 1.5P																																																		
10	1/2" BSP	3/4" NPT																																																		
11	1/2" BSP	1/2" NPT																																																		
12	1/2" BSP	M20 x 1.5P																																																		
13	3/4" NPT	None																																																		
14	M20 x 1.5P	None																																																		
16	1/2" BSP	None																																																		
17	1/2" NPT	None																																																		
	<table border="1"> <thead> <tr> <th>Code</th> <th>Certification</th> </tr> </thead> <tbody> <tr> <td>NN</td> <td>None</td> </tr> <tr> <td>E1</td> <td>FM / CSA / ATEX / IECEx Explosion Proof Certified, NEMA 4X, IP68, T6</td> </tr> </tbody> </table>	Code	Certification	NN	None	E1	FM / CSA / ATEX / IECEx Explosion Proof Certified, NEMA 4X, IP68, T6																																													
Code	Certification																																																			
NN	None																																																			
E1	FM / CSA / ATEX / IECEx Explosion Proof Certified, NEMA 4X, IP68, T6																																																			
	<table border="1"> <thead> <tr> <th>Code</th> <th>Accessories</th> </tr> </thead> <tbody> <tr> <td>RC</td> <td>IME Model 175RC Mounting Bracket</td> </tr> <tr> <td>PM</td> <td>IME Model 175PM Mounting Bracket</td> </tr> <tr> <td>NR</td> <td>IME Model 175NR Mounting Bracket</td> </tr> <tr> <td>MM</td> <td>IME Model 175MM Mounting Bracket</td> </tr> </tbody> </table>	Code	Accessories	RC	IME Model 175RC Mounting Bracket	PM	IME Model 175PM Mounting Bracket	NR	IME Model 175NR Mounting Bracket	MM	IME Model 175MM Mounting Bracket																																									
Code	Accessories																																																			
RC	IME Model 175RC Mounting Bracket																																																			
PM	IME Model 175PM Mounting Bracket																																																			
NR	IME Model 175NR Mounting Bracket																																																			
MM	IME Model 175MM Mounting Bracket																																																			
	<table border="1"> <thead> <tr> <th>Code</th> <th>2 Inch "U" Bolt with Nuts and Washers</th> </tr> </thead> <tbody> <tr> <td>00</td> <td>None</td> </tr> <tr> <td>01</td> <td>IME Model 17508, 1 Set (For IME Model 175RC)</td> </tr> <tr> <td>02</td> <td>IME Model 17508, 2 Sets (For IME Model 175PM &amp; 175NR)</td> </tr> </tbody> </table>	Code	2 Inch "U" Bolt with Nuts and Washers	00	None	01	IME Model 17508, 1 Set (For IME Model 175RC)	02	IME Model 17508, 2 Sets (For IME Model 175PM & 175NR)																																											
Code	2 Inch "U" Bolt with Nuts and Washers																																																			
00	None																																																			
01	IME Model 17508, 1 Set (For IME Model 175RC)																																																			
02	IME Model 17508, 2 Sets (For IME Model 175PM & 175NR)																																																			

8080PP	A	02	E1	PM	02	← Typical Model Number
--------	---	----	----	----	----	------------------------

Note:

1 Ports with M16 x 2P thread are not through holes, they are for Mounting only.

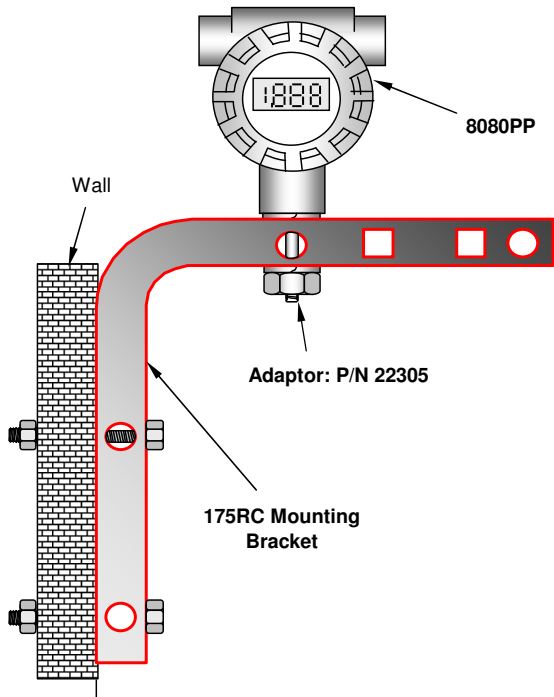


**MODEL 175RC MOUNTING BRACKET**

**IME MODEL 175RC**

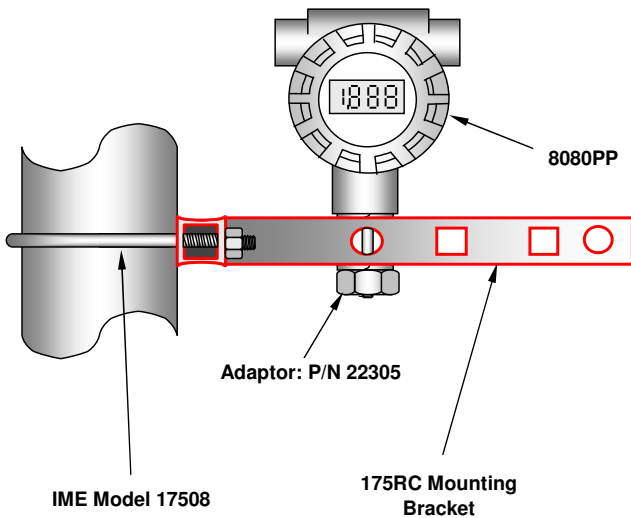
**PANEL / WALL MOUNTING CONFIGURATION**

9 mm or 5/16 bolts for mounting bracket to wall or panel  
 (Not Supplied)  
 Adaptor P/N: 22305 (Optional)

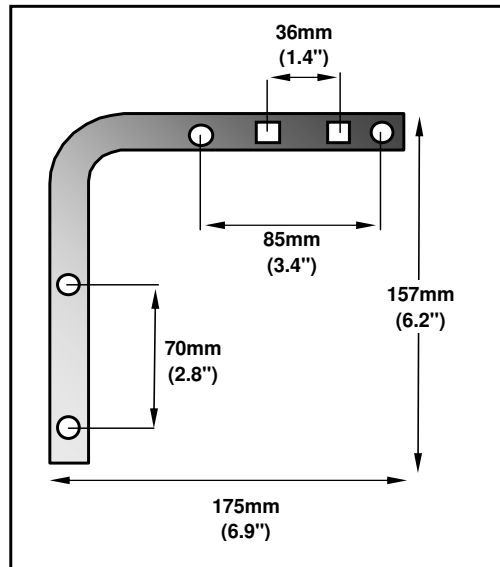


**2" PIPE MOUNTING CONFIGURATION**

2 Inch "U" Bolt with Nuts and Washers (Optional)  
 Adaptor P/N: 22305 (Optional)



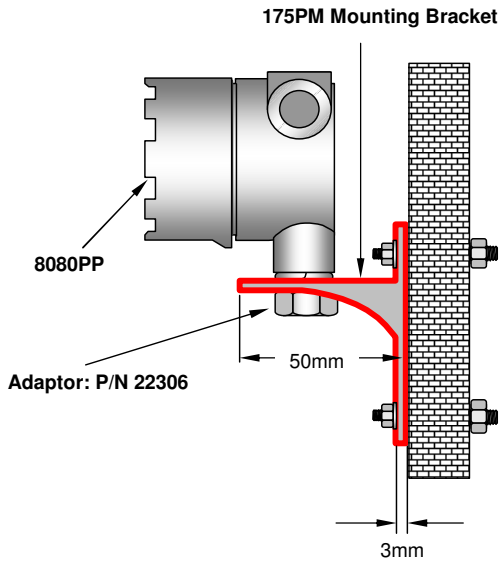
**Dimensions**



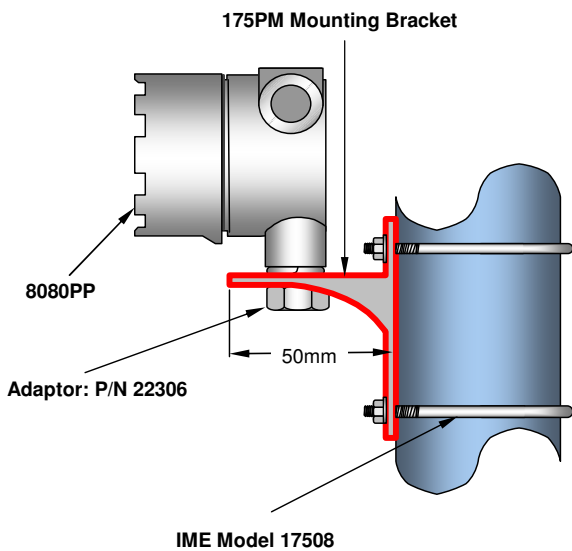
MODEL 175PM MOUNTING BRACKET

IME MODEL 175PM

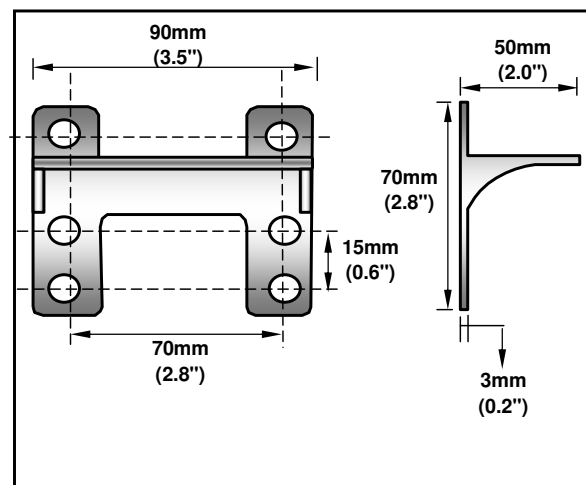
PANEL / WALL MOUNTING CONFIGURATION  
 9 mm or 5/16 bolts for mounting bracket to wall or panel  
 (Not Supplied)  
 Adaptor P/N: 22306 (Optional)



2" PIPE MOUNTING CONFIGURATION  
 2 Inch "U" Bolt with Nuts and Washers (Optional)  
 Adaptor P/N: 22306 (Optional)



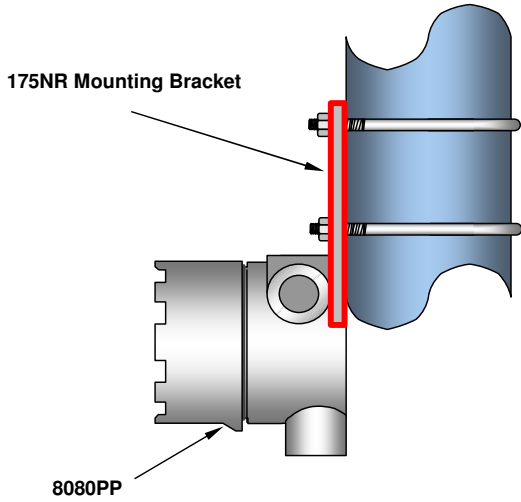
Dimensions



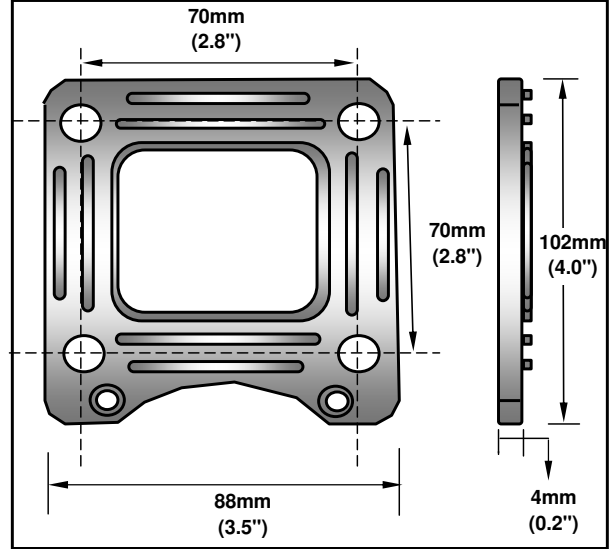
MODEL 175NR AND 175MM MOUNTING BRACKET

IME MODEL 175NR

2" PIPE MOUNTING CONFIGURATION  
2 Inch "U" Bolt with Nuts and Washers

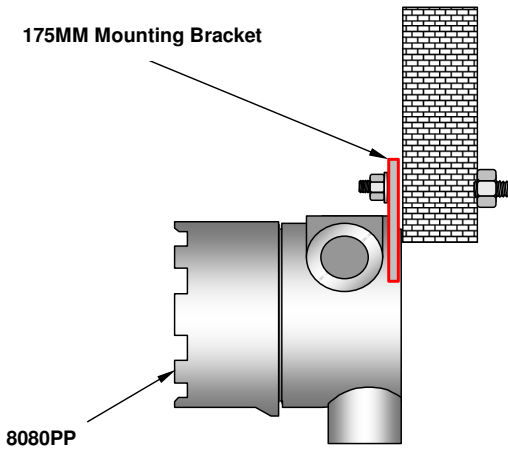


Dimensions



IME MODEL 175MM

PANEL / WALL MOUNTING CONFIGURATION  
9 mm or 5/16 bolts for mounting bracket to wall or panel  
(Not Supplied)



Dimensions

