

INDICATING TEMPERATURE TRANSMITTER

8080PN

- INPUT: RTD PT100 OR THERMOCOUPLE TYPE J / K
- OUTPUT 4~20MA, 2 WIRES
- 4 DIGIT DISPLAY IN DEGREES C OR F
- CHOICE OF ALUMINUM OR SS316 ENCLOSURE
- EXPLOSION PROOF CERTIFIED
- TEMPERATURE LINEARIZED
- 3 YEAR WARRANTY



Introduction

IME Model 8080PN is a two wire indicating transmitter which converts input from a Type J/K Thermocouple or Pt100 sensor into a load independent 4-20mA process signal. A 4 digit bright red LED allows for local indication of Temperature, which is switch selectable to read °C or °F.

Description

IME Model 8080PN Transmitters are designed for use in process industries where vibration, inclement weather and corrosive atmospheres prevail. The electronics are enclosed in a copper-free epoxy coated Aluminum housing and for more aggressive environments, a SS316 housing is optionally available. The housings meet the requirements of NEMA4X, and are also certified Explosion Proof by FM/CSA.





LED Meter

IME Model 8080PN has 4 digit bright red LED and may be configured to read temperature in either degrees C or F. The zero and span setting for 4 to 20mA signal as well as the units of display can be set either using the membrane switches on the front panel, eliminating potentiometric adjustments.

Mounting

A wide choice of stainless steel mounting brackets are available for mounting the Model 8080PN on either a 2" pipe or wall.

Certification System

	CLASS I, DIV I GROUPS B, C AND D CLASS II/III, DIV I GROUPS E, F AND G NEMA 4X, T6
	CLASS I, DIV I GROUPS B, C AND D CLASS II, DIV I GROUPS E, F AND G CLASS III, NEMA 4X, T6
	I M2 or II 2G D Ex d I Mb or Ex D IIC T6 Gb Ex tb IIIC T85°C Db IP68 Ta = -40°C to +60°C
	Ex d I Mb or Ex D IIC T6 Gb Ex tb IIIC T85°C Db IP68 Ta = -40°C to +60°C

Functional Specifications

Sensor

Type J/K Thermocouple or Pt100 RTD

Indication Accuracy

0.1% of Calibrated range +/- 1 digit

Lead Compensation Error

<+/-0.05/10Ω lead resistance

Stability Over Time

0.1% of calibrated range +/-1 digit over 6 months

Temperature Stability

+/-0.01% per Degree C

Adjustable Span

Over the entire range of sensor (Minimum Span=20°C (about 30°F))

Burnout Protection

Upscale

Supply Voltage

18~28V DC

Supply and Load Effect

<0.03% of span for full change

Operating Temperature

-50~75°C

Weight

0.9Kg (2LBS) for Aluminum Unit and 1.4Kg (3LBS) for SS316 unit

Material of Construction

Enclosure epoxy coated Copper-Free Aluminum or SS316 as specified

O Rings

Buna N

Optional Accessories

Mounting Brackets (IME Model 175PM, 175RC, 175NR, 175MM)

Both the Aluminum and the SS316 housing are certified NEMA4X & IP68. As indicated below. IME model 8080PN can be optionally provided with certification and a stainless steel name plate for use in Hazardous Area applications.

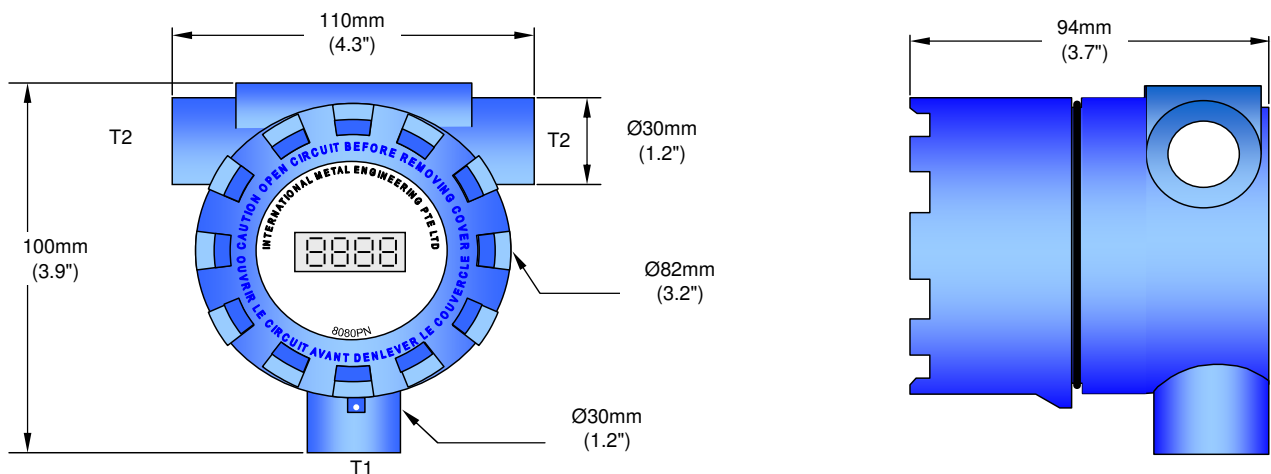
Ordering Information

Model	Description																																																			
8080PN	Field Mounted Indicating Transmitter with LED Display																																																			
	<table border="1"> <thead> <tr> <th>Code</th> <th>Options, Housing</th> </tr> </thead> <tbody> <tr> <td>A</td> <td>Die cast Aluminum, Epoxy Coated</td> </tr> <tr> <td>T</td> <td>SS316, Electro Polished</td> </tr> </tbody> </table>	Code	Options, Housing	A	Die cast Aluminum, Epoxy Coated	T	SS316, Electro Polished																																													
Code	Options, Housing																																																			
A	Die cast Aluminum, Epoxy Coated																																																			
T	SS316, Electro Polished																																																			
	<table border="1"> <thead> <tr> <th>Code</th> <th>Instrument Connection (T1)</th> <th>Conduit Size (T2)</th> </tr> </thead> <tbody> <tr><td>01</td><td>M16 x 2P (See note 1)</td><td>3/4" NPT</td></tr> <tr><td>02</td><td>M16 x 2P (See note 1)</td><td>1/2" NPT</td></tr> <tr><td>03</td><td>M16 x 2P (See note 1)</td><td>M20 x 1.5P</td></tr> <tr><td>04</td><td>1/2" NPT</td><td>3/4" NPT</td></tr> <tr><td>05</td><td>1/2" NPT</td><td>1/2" NPT</td></tr> <tr><td>06</td><td>1/2" NPT</td><td>M20 x 1.5P</td></tr> <tr><td>07</td><td>3/4" NPT</td><td>3/4" NPT</td></tr> <tr><td>08</td><td>3/4" NPT</td><td>1/2" NPT</td></tr> <tr><td>09</td><td>3/4" NPT</td><td>M20 x 1.5P</td></tr> <tr><td>10</td><td>1/2" BSP</td><td>3/4" NPT</td></tr> <tr><td>11</td><td>1/2" BSP</td><td>1/2" NPT</td></tr> <tr><td>12</td><td>1/2" BSP</td><td>M20 x 1.5P</td></tr> <tr><td>13</td><td>3/4" NPT</td><td>None</td></tr> <tr><td>14</td><td>M20 x 1.5P</td><td>None</td></tr> <tr><td>16</td><td>1/2" BSP</td><td>None</td></tr> <tr><td>17</td><td>1/2" NPT</td><td>None</td></tr> </tbody> </table>	Code	Instrument Connection (T1)	Conduit Size (T2)	01	M16 x 2P (See note 1)	3/4" NPT	02	M16 x 2P (See note 1)	1/2" NPT	03	M16 x 2P (See note 1)	M20 x 1.5P	04	1/2" NPT	3/4" NPT	05	1/2" NPT	1/2" NPT	06	1/2" NPT	M20 x 1.5P	07	3/4" NPT	3/4" NPT	08	3/4" NPT	1/2" NPT	09	3/4" NPT	M20 x 1.5P	10	1/2" BSP	3/4" NPT	11	1/2" BSP	1/2" NPT	12	1/2" BSP	M20 x 1.5P	13	3/4" NPT	None	14	M20 x 1.5P	None	16	1/2" BSP	None	17	1/2" NPT	None
Code	Instrument Connection (T1)	Conduit Size (T2)																																																		
01	M16 x 2P (See note 1)	3/4" NPT																																																		
02	M16 x 2P (See note 1)	1/2" NPT																																																		
03	M16 x 2P (See note 1)	M20 x 1.5P																																																		
04	1/2" NPT	3/4" NPT																																																		
05	1/2" NPT	1/2" NPT																																																		
06	1/2" NPT	M20 x 1.5P																																																		
07	3/4" NPT	3/4" NPT																																																		
08	3/4" NPT	1/2" NPT																																																		
09	3/4" NPT	M20 x 1.5P																																																		
10	1/2" BSP	3/4" NPT																																																		
11	1/2" BSP	1/2" NPT																																																		
12	1/2" BSP	M20 x 1.5P																																																		
13	3/4" NPT	None																																																		
14	M20 x 1.5P	None																																																		
16	1/2" BSP	None																																																		
17	1/2" NPT	None																																																		
	<table border="1"> <thead> <tr> <th>Code</th> <th>Certification</th> </tr> </thead> <tbody> <tr> <td>NN</td> <td>None</td> </tr> <tr> <td>E1</td> <td>FM / CSA / ATEX / IECEx Explosion Proof Certified, NEMA 4X, IP68, T6</td> </tr> </tbody> </table>	Code	Certification	NN	None	E1	FM / CSA / ATEX / IECEx Explosion Proof Certified, NEMA 4X, IP68, T6																																													
Code	Certification																																																			
NN	None																																																			
E1	FM / CSA / ATEX / IECEx Explosion Proof Certified, NEMA 4X, IP68, T6																																																			
	<table border="1"> <thead> <tr> <th>Code</th> <th>Accessories</th> </tr> </thead> <tbody> <tr> <td>RC</td> <td>IME Model 175RC Mounting Bracket</td> </tr> <tr> <td>PM</td> <td>IME Model 175PM Mounting Bracket</td> </tr> <tr> <td>NR</td> <td>IME Model 175NR Mounting Bracket</td> </tr> <tr> <td>MM</td> <td>IME Model 175MM Mounting Bracket</td> </tr> </tbody> </table>	Code	Accessories	RC	IME Model 175RC Mounting Bracket	PM	IME Model 175PM Mounting Bracket	NR	IME Model 175NR Mounting Bracket	MM	IME Model 175MM Mounting Bracket																																									
Code	Accessories																																																			
RC	IME Model 175RC Mounting Bracket																																																			
PM	IME Model 175PM Mounting Bracket																																																			
NR	IME Model 175NR Mounting Bracket																																																			
MM	IME Model 175MM Mounting Bracket																																																			
	<table border="1"> <thead> <tr> <th>Code</th> <th>2 Inch "U" Bolt with Nuts and Washers</th> </tr> </thead> <tbody> <tr> <td>00</td> <td>None</td> </tr> <tr> <td>01</td> <td>IME Model 17508, 1 Set (For IME Model 175RC)</td> </tr> <tr> <td>02</td> <td>IME Model 17508, 2 Sets (For IME Model 175PM & 175NR)</td> </tr> </tbody> </table>	Code	2 Inch "U" Bolt with Nuts and Washers	00	None	01	IME Model 17508, 1 Set (For IME Model 175RC)	02	IME Model 17508, 2 Sets (For IME Model 175PM & 175NR)																																											
Code	2 Inch "U" Bolt with Nuts and Washers																																																			
00	None																																																			
01	IME Model 17508, 1 Set (For IME Model 175RC)																																																			
02	IME Model 17508, 2 Sets (For IME Model 175PM & 175NR)																																																			

8080PN	A	02	E1	PM	02	← Typical Model Number
--------	---	----	----	----	----	------------------------

Note:

1 Ports with M16 x 2P thread are not through holes, they are for Mounting only.

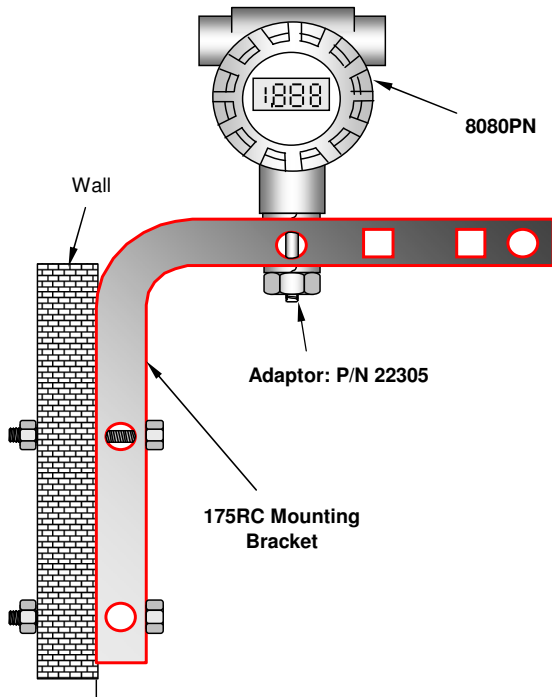


MODEL 175RC MOUNTING BRACKET

IME MODEL 175RC

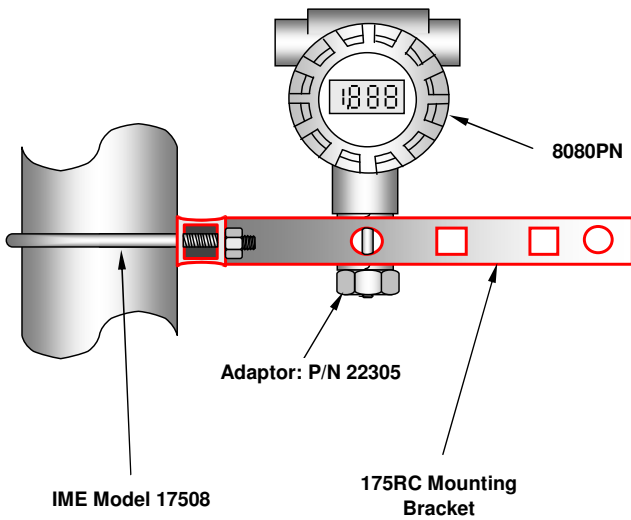
PANEL / WALL MOUNTING CONFIGURATION

9 mm or 5/16 bolts for mounting bracket to wall or panel
(Not Supplied)
Adaptor P/N: 22305 (Optional)

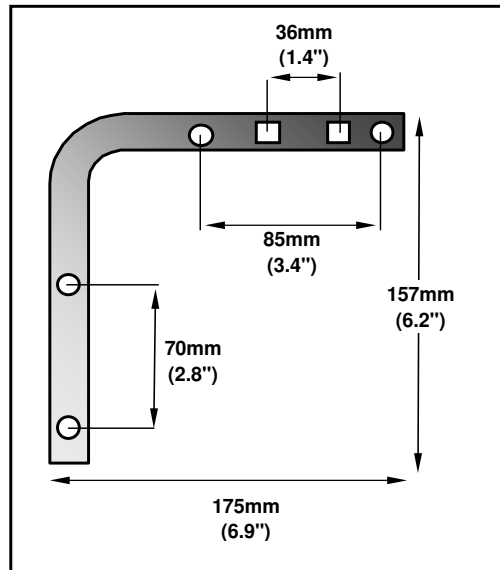


2" PIPE MOUNTING CONFIGURATION

2 Inch "U" Bolt with Nuts and Washers (Optional)
Adaptor P/N: 22305 (Optional)



Dimensions

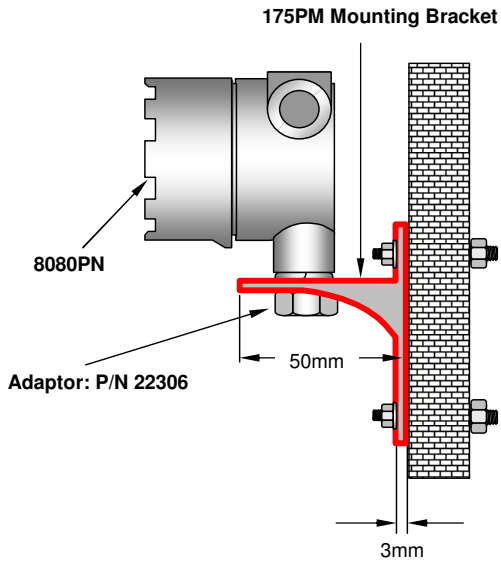


MODEL 175PM MOUNTING BRACKET

IME MODEL 175PM

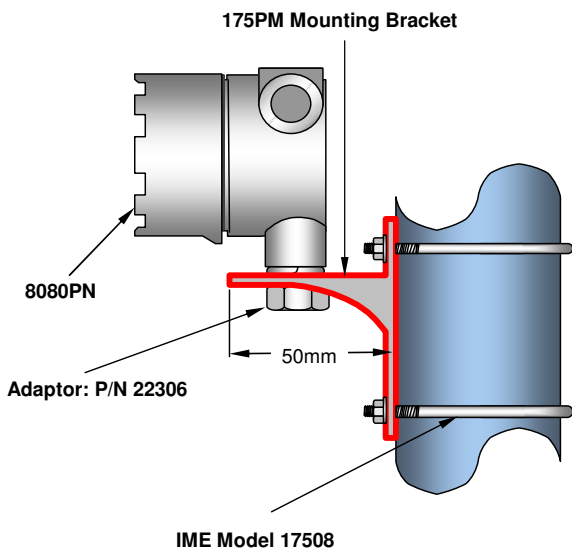
PANEL / WALL MOUNTING CONFIGURATION

9 mm or 5/16 bolts for mounting bracket to wall or panel
(Not Supplied)
Adaptor P/N: 22306 (Optional)

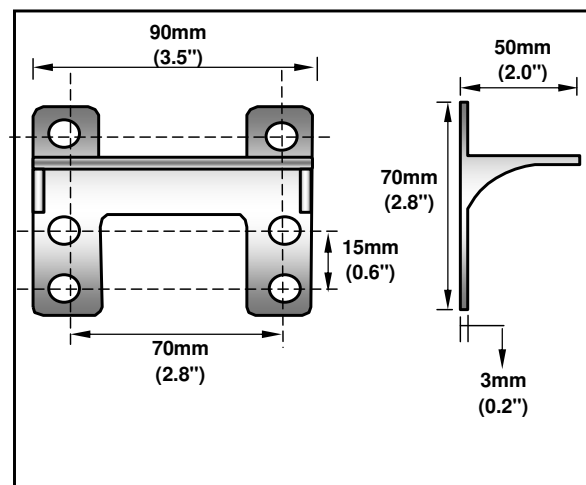


2" PIPE MOUNTING CONFIGURATION

2 Inch "U" Bolt with Nuts and Washers (Optional)
Adaptor P/N: 22306 (Optional)



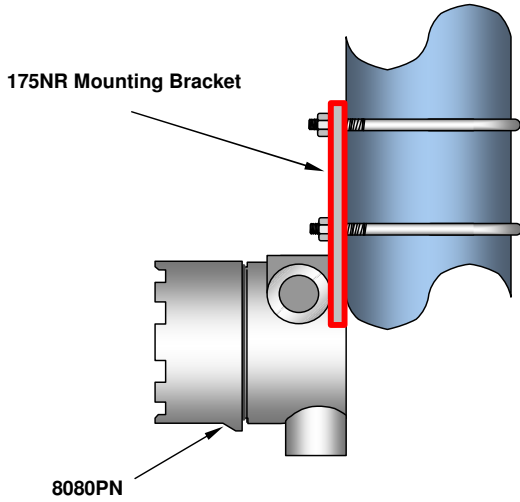
Dimensions



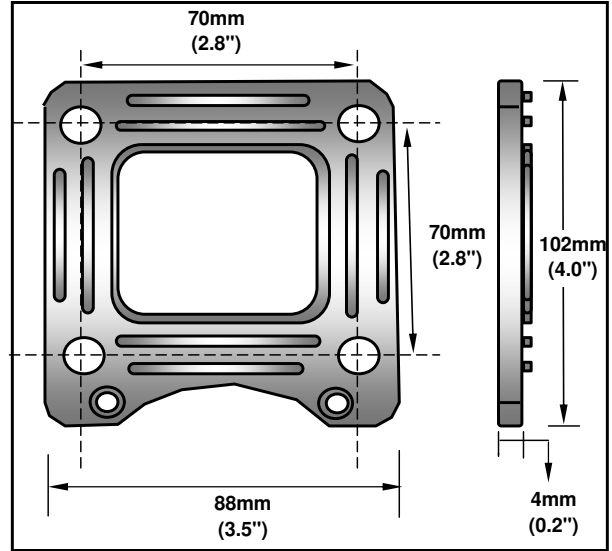
MODEL 175NR AND 175MM MOUNTING BRACKET

IME MODEL 175NR

2" PIPE MOUNTING CONFIGURATION
2 Inch "U" Bolt with Nuts and Washers

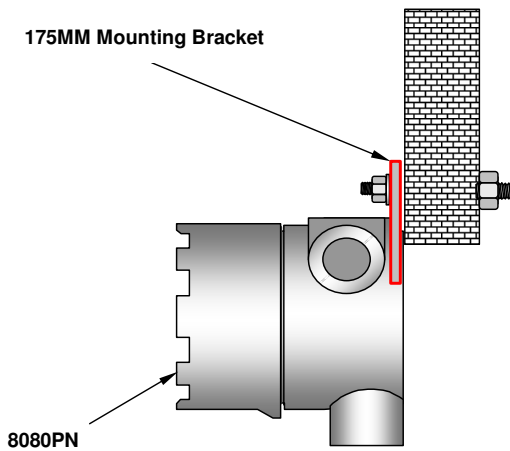


Dimensions



IME MODEL 175MM

PANEL / WALL MOUNTING CONFIGURATION
9 mm or 5/16 bolts for mounting bracket to wall or panel
(Not Supplied)



Dimensions

