

Both the Aluminum and the SS316 housing are certified NEMA 4X & IP68. As indicated below. IME model 8080MN can be optionally provided with certification and a stainless steel name plate for use in Hazardous Area applications.

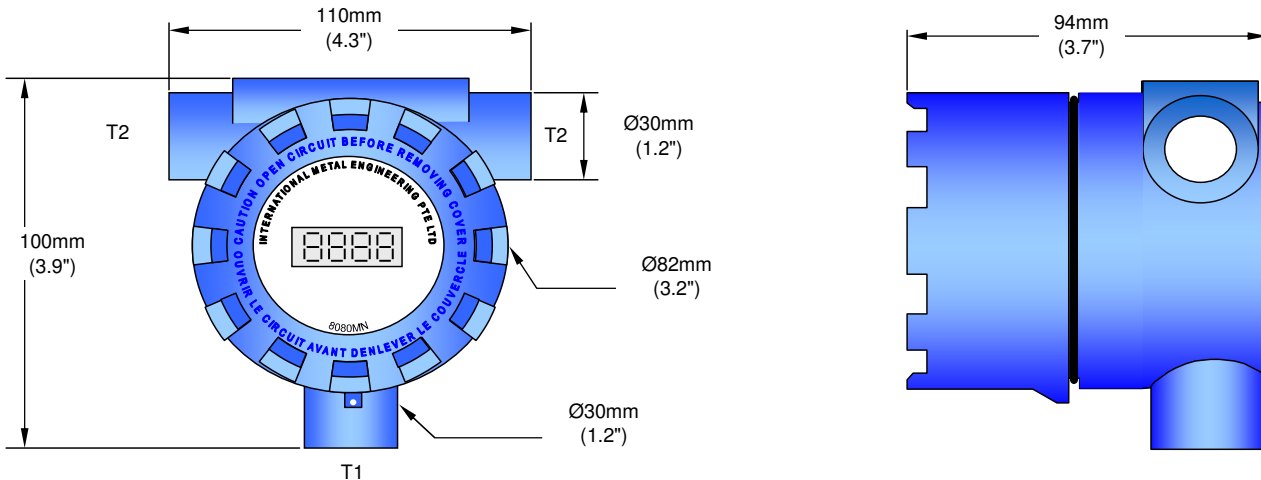
Ordering Information

Model	Description																																																			
8080MN	Field Mounted Process Indicator with LED Display																																																			
	<table border="1"> <thead> <tr> <th>Code</th> <th>Options, Housing</th> </tr> </thead> <tbody> <tr> <td>A</td> <td>Die cast Aluminum, Epoxy Coated</td> </tr> <tr> <td>T</td> <td>SS316, Electro Polished</td> </tr> </tbody> </table>	Code	Options, Housing	A	Die cast Aluminum, Epoxy Coated	T	SS316, Electro Polished																																													
Code	Options, Housing																																																			
A	Die cast Aluminum, Epoxy Coated																																																			
T	SS316, Electro Polished																																																			
	<table border="1"> <thead> <tr> <th>Code</th> <th>Instrument Connection (T1)</th> <th>Conduit Size (T2)</th> </tr> </thead> <tbody> <tr><td>01</td><td>M16 x 2P (See note 1)</td><td>3/4" NPT</td></tr> <tr><td>02</td><td>M16 x 2P (See note 1)</td><td>1/2" NPT</td></tr> <tr><td>03</td><td>M16 x 2P (See note 1)</td><td>M20 x 1.5P (See note 2)</td></tr> <tr><td>04</td><td>1/2" NPT</td><td>3/4" NPT</td></tr> <tr><td>05</td><td>1/2" NPT</td><td>1/2" NPT</td></tr> <tr><td>06</td><td>1/2" NPT</td><td>M20 x 1.5P (See note 2)</td></tr> <tr><td>07</td><td>3/4" NPT</td><td>3/4" NPT</td></tr> <tr><td>08</td><td>3/4" NPT</td><td>1/2" NPT</td></tr> <tr><td>09</td><td>3/4" NPT</td><td>M20 x 1.5P (See note 2)</td></tr> <tr><td>10</td><td>1/2" BSP (See note 2 & 3)</td><td>3/4" NPT</td></tr> <tr><td>11</td><td>1/2" BSP (See note 2 & 3)</td><td>1/2" NPT</td></tr> <tr><td>12</td><td>1/2" BSP (See note 2 & 3)</td><td>M20 x 1.5P (See note 2)</td></tr> <tr><td>13</td><td>3/4" NPT</td><td>None</td></tr> <tr><td>14</td><td>M20 x 1.5P (See note 2)</td><td>None</td></tr> <tr><td>16</td><td>1/2" BSP (See note 2 & 3)</td><td>None</td></tr> <tr><td>17</td><td>1/2" NPT</td><td>None</td></tr> </tbody> </table>	Code	Instrument Connection (T1)	Conduit Size (T2)	01	M16 x 2P (See note 1)	3/4" NPT	02	M16 x 2P (See note 1)	1/2" NPT	03	M16 x 2P (See note 1)	M20 x 1.5P (See note 2)	04	1/2" NPT	3/4" NPT	05	1/2" NPT	1/2" NPT	06	1/2" NPT	M20 x 1.5P (See note 2)	07	3/4" NPT	3/4" NPT	08	3/4" NPT	1/2" NPT	09	3/4" NPT	M20 x 1.5P (See note 2)	10	1/2" BSP (See note 2 & 3)	3/4" NPT	11	1/2" BSP (See note 2 & 3)	1/2" NPT	12	1/2" BSP (See note 2 & 3)	M20 x 1.5P (See note 2)	13	3/4" NPT	None	14	M20 x 1.5P (See note 2)	None	16	1/2" BSP (See note 2 & 3)	None	17	1/2" NPT	None
Code	Instrument Connection (T1)	Conduit Size (T2)																																																		
01	M16 x 2P (See note 1)	3/4" NPT																																																		
02	M16 x 2P (See note 1)	1/2" NPT																																																		
03	M16 x 2P (See note 1)	M20 x 1.5P (See note 2)																																																		
04	1/2" NPT	3/4" NPT																																																		
05	1/2" NPT	1/2" NPT																																																		
06	1/2" NPT	M20 x 1.5P (See note 2)																																																		
07	3/4" NPT	3/4" NPT																																																		
08	3/4" NPT	1/2" NPT																																																		
09	3/4" NPT	M20 x 1.5P (See note 2)																																																		
10	1/2" BSP (See note 2 & 3)	3/4" NPT																																																		
11	1/2" BSP (See note 2 & 3)	1/2" NPT																																																		
12	1/2" BSP (See note 2 & 3)	M20 x 1.5P (See note 2)																																																		
13	3/4" NPT	None																																																		
14	M20 x 1.5P (See note 2)	None																																																		
16	1/2" BSP (See note 2 & 3)	None																																																		
17	1/2" NPT	None																																																		
	<table border="1"> <thead> <tr> <th>Code</th> <th>Certification</th> </tr> </thead> <tbody> <tr> <td>NN</td> <td>None</td> </tr> <tr> <td>E1</td> <td>FM / CSA / ATEX / IECEx Explosion Proof Certified, NEMA 4X, IP68, T6</td> </tr> </tbody> </table>	Code	Certification	NN	None	E1	FM / CSA / ATEX / IECEx Explosion Proof Certified, NEMA 4X, IP68, T6																																													
Code	Certification																																																			
NN	None																																																			
E1	FM / CSA / ATEX / IECEx Explosion Proof Certified, NEMA 4X, IP68, T6																																																			
	<table border="1"> <thead> <tr> <th>Code</th> <th>Accessories</th> </tr> </thead> <tbody> <tr> <td>RC</td> <td>IME Model 175RC Mounting Bracket</td> </tr> <tr> <td>PM</td> <td>IME Model 175PM Mounting Bracket</td> </tr> <tr> <td>NR</td> <td>IME Model 175NR Mounting Bracket</td> </tr> <tr> <td>MM</td> <td>IME Model 175MM Mounting Bracket</td> </tr> </tbody> </table>	Code	Accessories	RC	IME Model 175RC Mounting Bracket	PM	IME Model 175PM Mounting Bracket	NR	IME Model 175NR Mounting Bracket	MM	IME Model 175MM Mounting Bracket																																									
Code	Accessories																																																			
RC	IME Model 175RC Mounting Bracket																																																			
PM	IME Model 175PM Mounting Bracket																																																			
NR	IME Model 175NR Mounting Bracket																																																			
MM	IME Model 175MM Mounting Bracket																																																			
	<table border="1"> <thead> <tr> <th>Code</th> <th>2 Inch "U" Bolt with Nuts and Washers</th> </tr> </thead> <tbody> <tr> <td>00</td> <td>None</td> </tr> <tr> <td>01</td> <td>IME Model 17508, 1 Set (For IME Model 175RC)</td> </tr> <tr> <td>02</td> <td>IME Model 17508, 2 Sets (For IME Model 175PM & 175NR)</td> </tr> </tbody> </table>	Code	2 Inch "U" Bolt with Nuts and Washers	00	None	01	IME Model 17508, 1 Set (For IME Model 175RC)	02	IME Model 17508, 2 Sets (For IME Model 175PM & 175NR)																																											
Code	2 Inch "U" Bolt with Nuts and Washers																																																			
00	None																																																			
01	IME Model 17508, 1 Set (For IME Model 175RC)																																																			
02	IME Model 17508, 2 Sets (For IME Model 175PM & 175NR)																																																			

8080MN	A	02	E1	PM	02	← Typical Model Number
--------	---	----	----	----	----	------------------------

Note:

- 1 Ports with M16 x 2P thread are not through holes, they are for Mounting only.
- 2 1/2"BSP & M20 x 1.5P Threads are not Certified by CSA
- 3 1/2"BSP threads are not FM Approved.

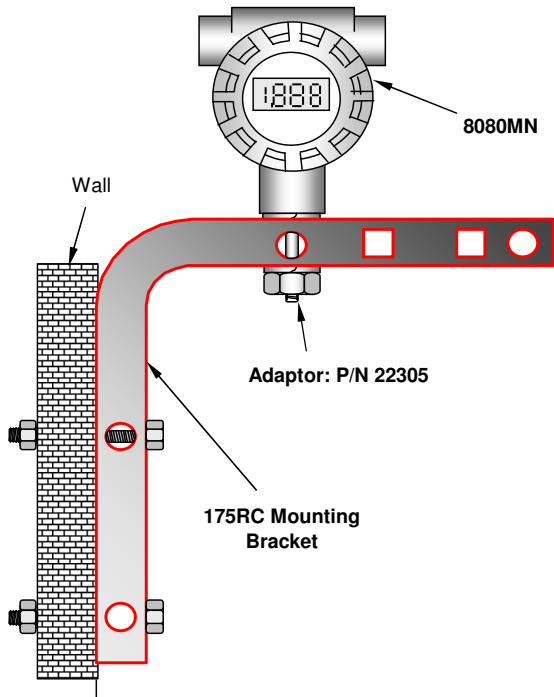


MODEL 175RC MOUNTING BRACKET

IME MODEL 175RC

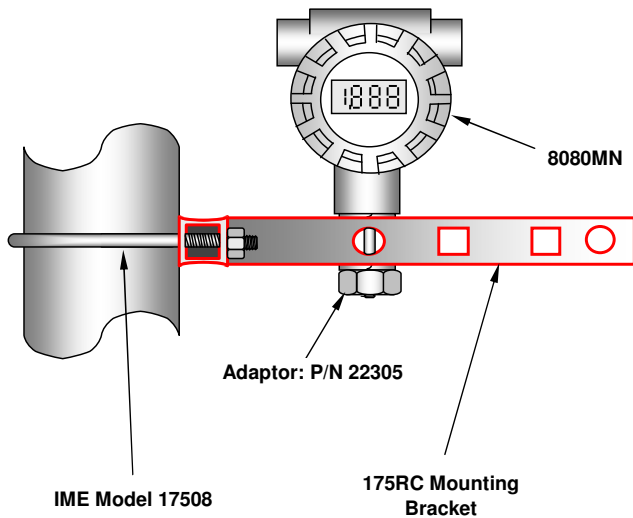
PANEL / WALL MOUNTING CONFIGURATION

9 mm or 5/16 bolts for mounting bracket to wall or panel
(Not Supplied)
Adaptor P/N: 22305 (Optional)

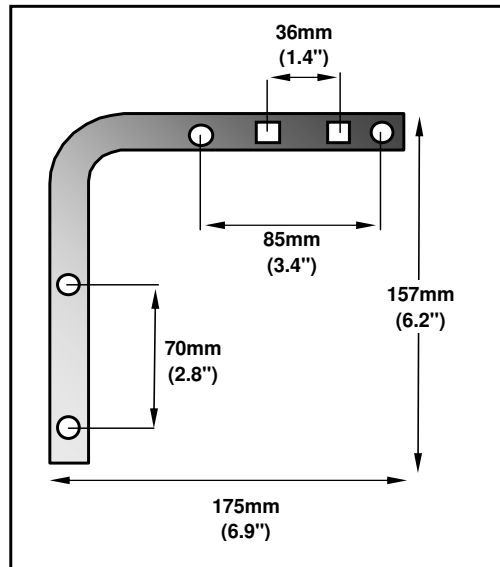


2" PIPE MOUNTING CONFIGURATION

2 Inch "U" Bolt with Nuts and Washers (Optional)
Adaptor P/N: 22305 (Optional)



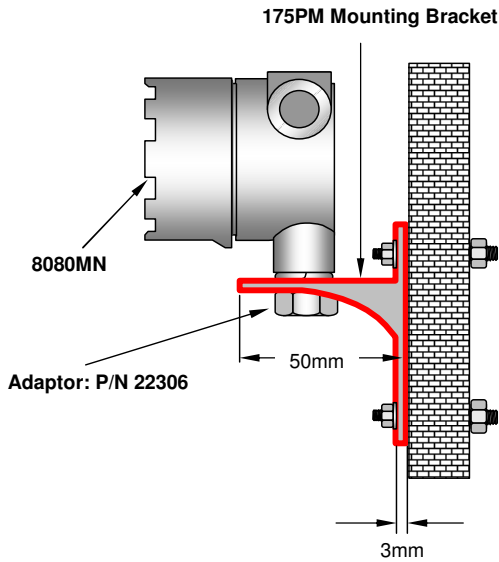
Dimensions



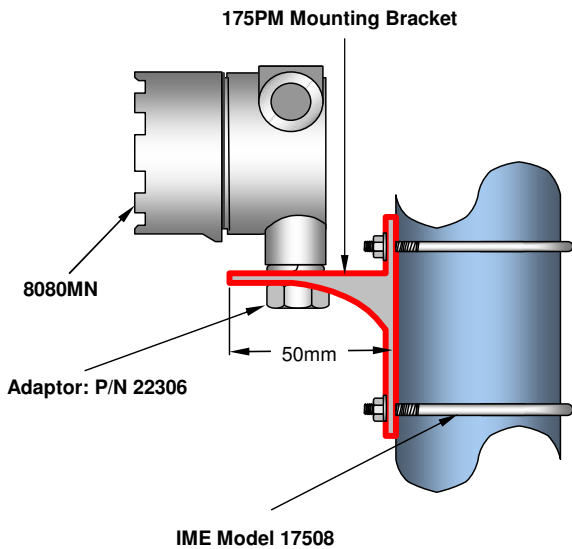
MODEL 175PM MOUNTING BRACKET

IME MODEL 175PM

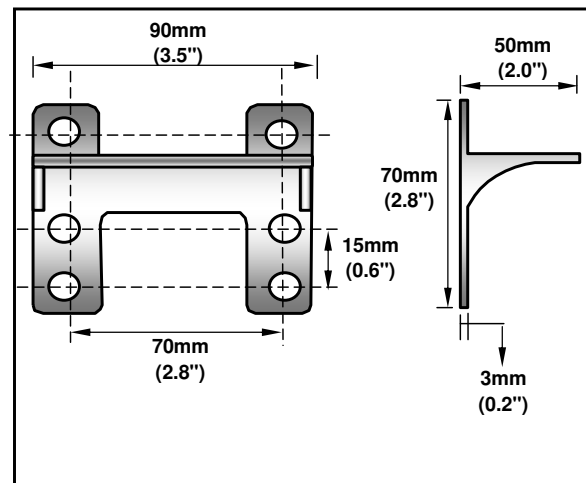
PANEL / WALL MOUNTING CONFIGURATION
9 mm or 5/16 bolts for mounting bracket to wall or panel
(Not Supplied)
Adaptor P/N: 22306 (Optional)



2" PIPE MOUNTING CONFIGURATION
2 Inch "U" Bolt with Nuts and Washers (Optional)
Adaptor P/N: 22306 (Optional)



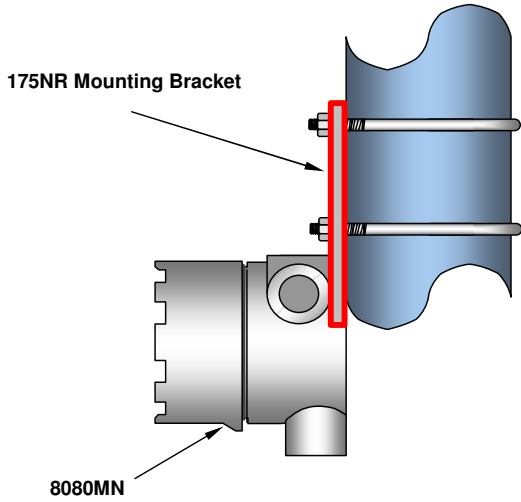
Dimensions



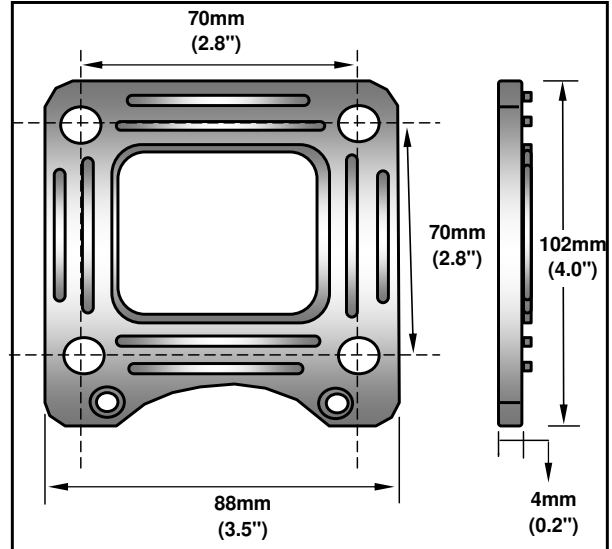
MODEL 175NR AND 175MM MOUNTING BRACKET

IME MODEL 175NR

2" PIPE MOUNTING CONFIGURATION
2 Inch "U" Bolt with Nuts and Washers

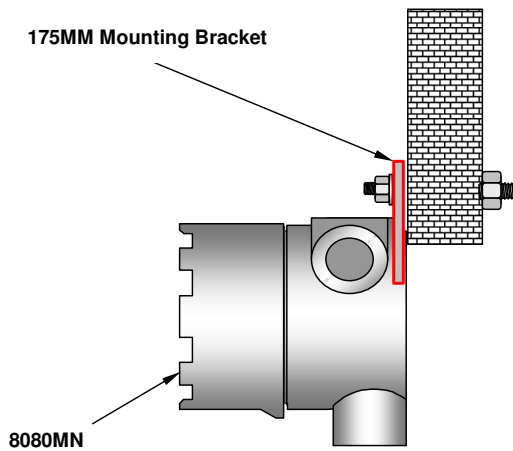


Dimensions



IME MODEL 175MM

PANEL / WALL MOUNTING CONFIGURATION
9 mm or 5/16 bolts for mounting bracket to wall or panel
(Not Supplied)



Dimensions

