

**BATTERY OPERATED DIGITAL TEMPERATURE INDICATOR**

**8080KN**

- INPUT THERMOCOUPLE AND RTD
- 4 DIGIT LCD DISPLAY IN DEGREE C OR F
- RUGGED NEMA 4X ENCLOSURE
- CHOICE OF ALUMINUM OR SS316 ENCLOSURE
- DESIGNED TO REPLACE BIMETALLIC SENSORS
- EXPLOSION PROOF CERTIFIED
- 3 YEAR WARRANTY



**Introduction**

IME Model 8080KN Battery Operated Digital Temperature Indicator accepts an input from a standard Type J or K Thermocouple or RTD and provides local indication of temperature in degree F or C. Designed specifically to replace Bimetallic Sensors, 8080KN becomes a universal instrument since only one instrument will indicate the entire useful range of the thermocouple (-100 to 900°C). This eliminates having several bimetallic sensors where the dial range has to be predetermined. Operating costs are also drastically reduced since the temperature sensor can be easily replaced in case of failure, unlike a bimetallic sensor where the entire instrument has to be discarded. Furthermore thermocouples are a lot more reliable, accurate and stable when compared to the archaic bimetallic sensor.


**Description**


IME Model 8080KN is designed for use in process industries where vibration, inclement weather and corrosive atmospheres prevail. The electronics are enclosed in a copper-free epoxy coated Aluminum housing and for more aggressive environments a SS316 housing is optionally available. The housing meets the requirements of NEMA 4X & IP68, and are also certified Explosion Proof by FM/CSA/ATEX/IECEX.


**Mounting**


A wide choice of stainless steel mounting brackets are available for mounting the Model 8080MN on either a 2" pipe or wall.

**Certification System**

	CLASS I, DIV I GROUPS B, C AND D CLASS II/III, DIV I GROUPS E, F AND G NEMA 4X, T6
--	--

	CLASS I, DIV I GROUPS B, C AND D CLASS II, DIV I GROUPS E, F AND G CLASS III, NEMA 4X, T6
--	---

	I M2                      or                      II 2G D Ex d I Mb                or                      Ex D IIC T6 Gb Ex tb IIIC T85°C Db IP68 Ta = -40°C to +60°C
--	---

	Ex d I Mb                or                      Ex D IIC T6 Gb Ex tb IIIC T85°C Db IP68 Ta = -40°C to +60°C
--	--

**Functional Specifications**

**Sensor**

Thermocouple Type J / K or RTD Pt100

**Indication Accuracy**

0.5 Degree C

**Display Height**

12.5mm (½") high

**Display Units**

°C or °F, switch selectable

**Battery Life**

Approx. 12 Months

**Calibration**

Single point calibration for enhanced accuracy

**Operating Temperature**

-20 to 75°C (Optional -40 to 75°C)

**Weight**

0.9Kg (2LBS) for Aluminum Unit and 1.4Kg (3LBS) for SS316 unit not include sensor

**Material of Construction**

Enclosure epoxy coated Copper-Free Aluminum or SS316 as specified

**O Rings**

Buna N

**Optional Accessories**

Mounting Brackets (IME Model 175PM, 175RC, 175NR, 175MM)

**BATTERY OPERATED DIGITAL TEMPERATURE INDICATOR**

**8080KN**

Both the Aluminum and the SS316 housing are certified NEMA 4X & IP68. As indicated below. IME model 8080KN can be optionally provided with certification and a stainless steel name plate for use in Hazardous Area applications.

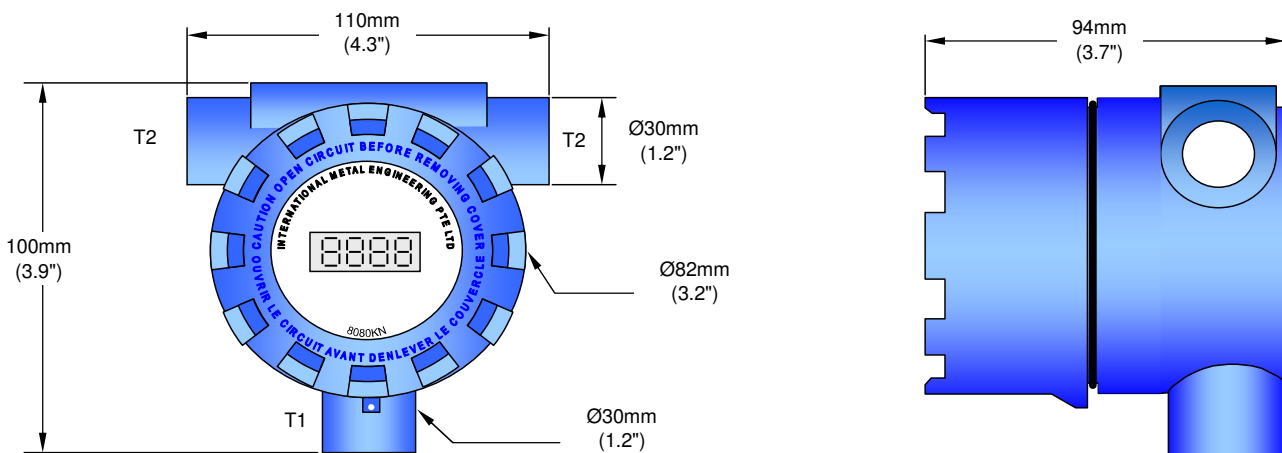
**Ordering Information**

Model	Description																																																			
8080KN	Field Mounted Battery Powered Temperature Indicator with 4 Digital LCD Display																																																			
	<table border="1"> <thead> <tr> <th>Code</th> <th>Options, Housing</th> </tr> </thead> <tbody> <tr> <td>A</td> <td>Die cast Aluminum, Epoxy Coated</td> </tr> <tr> <td>T</td> <td>SS316, Electro Polished</td> </tr> </tbody> </table>	Code	Options, Housing	A	Die cast Aluminum, Epoxy Coated	T	SS316, Electro Polished																																													
Code	Options, Housing																																																			
A	Die cast Aluminum, Epoxy Coated																																																			
T	SS316, Electro Polished																																																			
	<table border="1"> <thead> <tr> <th>Code</th> <th>Instrument Connection (T1)</th> <th>Conduit Size (T2)</th> </tr> </thead> <tbody> <tr><td>01</td><td>M16 x 2P (See note 1)</td><td>3/4" NPT</td></tr> <tr><td>02</td><td>M16 x 2P (See note 1)</td><td>1/2" NPT</td></tr> <tr><td>03</td><td>M16 x 2P (See note 1)</td><td>M20 x 1.5P</td></tr> <tr><td>04</td><td>1/2" NPT</td><td>3/4" NPT</td></tr> <tr><td>05</td><td>1/2" NPT</td><td>1/2" NPT</td></tr> <tr><td>06</td><td>1/2" NPT</td><td>M20 x 1.5P</td></tr> <tr><td>07</td><td>3/4" NPT</td><td>3/4" NPT</td></tr> <tr><td>08</td><td>3/4" NPT</td><td>1/2" NPT</td></tr> <tr><td>09</td><td>3/4" NPT</td><td>M20 x 1.5P</td></tr> <tr><td>10</td><td>1/2" BSP</td><td>3/4" NPT</td></tr> <tr><td>11</td><td>1/2" BSP</td><td>1/2" NPT</td></tr> <tr><td>12</td><td>1/2" BSP</td><td>M20 x 1.5P</td></tr> <tr><td>13</td><td>3/4" NPT</td><td>None</td></tr> <tr><td>14</td><td>M20 x 1.5P</td><td>None</td></tr> <tr><td>16</td><td>1/2" BSP</td><td>None</td></tr> <tr><td>17</td><td>1/2" NPT</td><td>None</td></tr> </tbody> </table>	Code	Instrument Connection (T1)	Conduit Size (T2)	01	M16 x 2P (See note 1)	3/4" NPT	02	M16 x 2P (See note 1)	1/2" NPT	03	M16 x 2P (See note 1)	M20 x 1.5P	04	1/2" NPT	3/4" NPT	05	1/2" NPT	1/2" NPT	06	1/2" NPT	M20 x 1.5P	07	3/4" NPT	3/4" NPT	08	3/4" NPT	1/2" NPT	09	3/4" NPT	M20 x 1.5P	10	1/2" BSP	3/4" NPT	11	1/2" BSP	1/2" NPT	12	1/2" BSP	M20 x 1.5P	13	3/4" NPT	None	14	M20 x 1.5P	None	16	1/2" BSP	None	17	1/2" NPT	None
Code	Instrument Connection (T1)	Conduit Size (T2)																																																		
01	M16 x 2P (See note 1)	3/4" NPT																																																		
02	M16 x 2P (See note 1)	1/2" NPT																																																		
03	M16 x 2P (See note 1)	M20 x 1.5P																																																		
04	1/2" NPT	3/4" NPT																																																		
05	1/2" NPT	1/2" NPT																																																		
06	1/2" NPT	M20 x 1.5P																																																		
07	3/4" NPT	3/4" NPT																																																		
08	3/4" NPT	1/2" NPT																																																		
09	3/4" NPT	M20 x 1.5P																																																		
10	1/2" BSP	3/4" NPT																																																		
11	1/2" BSP	1/2" NPT																																																		
12	1/2" BSP	M20 x 1.5P																																																		
13	3/4" NPT	None																																																		
14	M20 x 1.5P	None																																																		
16	1/2" BSP	None																																																		
17	1/2" NPT	None																																																		
	<table border="1"> <thead> <tr> <th>Code</th> <th>Certification</th> </tr> </thead> <tbody> <tr> <td>NN</td> <td>None</td> </tr> <tr> <td>E1</td> <td>FM / CSA / ATEX / IECEx Explosion Proof Certified, NEMA 4X, IP68, T6</td> </tr> </tbody> </table>	Code	Certification	NN	None	E1	FM / CSA / ATEX / IECEx Explosion Proof Certified, NEMA 4X, IP68, T6																																													
Code	Certification																																																			
NN	None																																																			
E1	FM / CSA / ATEX / IECEx Explosion Proof Certified, NEMA 4X, IP68, T6																																																			
	<table border="1"> <thead> <tr> <th>Code</th> <th>Accessories</th> </tr> </thead> <tbody> <tr> <td>RC</td> <td>IME Model 175RC Mounting Bracket</td> </tr> <tr> <td>PM</td> <td>IME Model 175PM Mounting Bracket</td> </tr> <tr> <td>NR</td> <td>IME Model 175NR Mounting Bracket</td> </tr> <tr> <td>MM</td> <td>IME Model 175MM Mounting Bracket</td> </tr> </tbody> </table>	Code	Accessories	RC	IME Model 175RC Mounting Bracket	PM	IME Model 175PM Mounting Bracket	NR	IME Model 175NR Mounting Bracket	MM	IME Model 175MM Mounting Bracket																																									
Code	Accessories																																																			
RC	IME Model 175RC Mounting Bracket																																																			
PM	IME Model 175PM Mounting Bracket																																																			
NR	IME Model 175NR Mounting Bracket																																																			
MM	IME Model 175MM Mounting Bracket																																																			
	<table border="1"> <thead> <tr> <th>Code</th> <th>2 Inch "U" Bolt with Nuts and Washers</th> </tr> </thead> <tbody> <tr> <td>00</td> <td>None</td> </tr> <tr> <td>01</td> <td>IME Model 17508, 1 Set (For IME Model 175RC)</td> </tr> <tr> <td>02</td> <td>IME Model 17508, 2 Sets (For IME Model 175PM &amp; 175NR)</td> </tr> </tbody> </table>	Code	2 Inch "U" Bolt with Nuts and Washers	00	None	01	IME Model 17508, 1 Set (For IME Model 175RC)	02	IME Model 17508, 2 Sets (For IME Model 175PM & 175NR)																																											
Code	2 Inch "U" Bolt with Nuts and Washers																																																			
00	None																																																			
01	IME Model 17508, 1 Set (For IME Model 175RC)																																																			
02	IME Model 17508, 2 Sets (For IME Model 175PM & 175NR)																																																			

8080KN	A	02	E1	PM	02	← Typical Model Number
--------	---	----	----	----	----	------------------------

Note:

1 Ports with M16 x 2P thread are not through holes, they are for Mounting only.

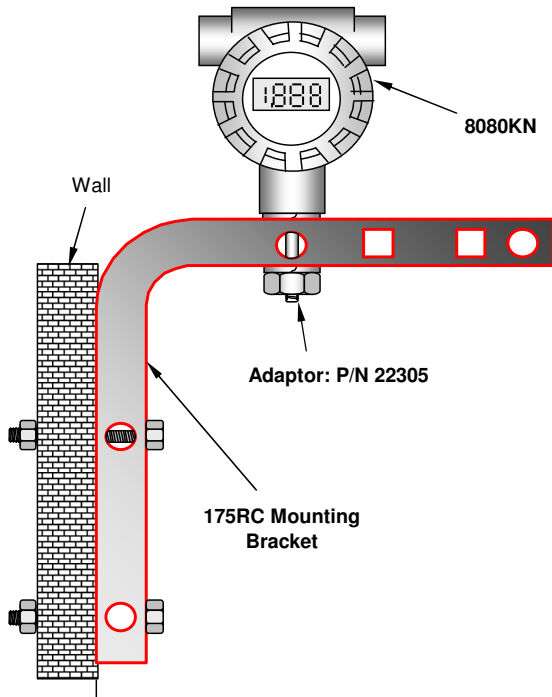


MODEL 175RC MOUNTING BRACKET

IME MODEL 175RC

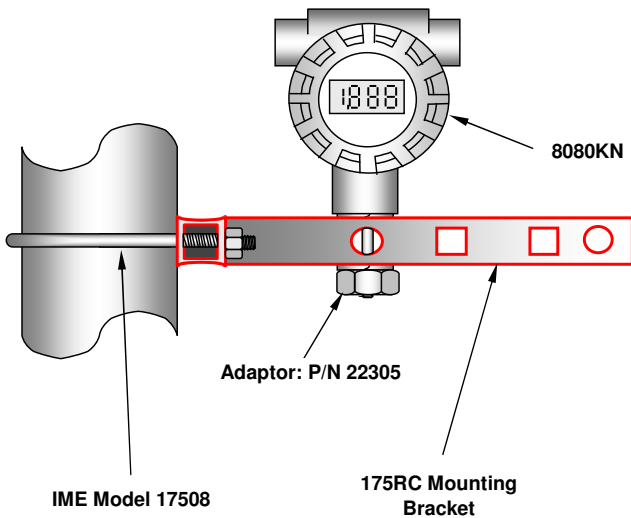
PANEL / WALL MOUNTING CONFIGURATION

9 mm or 5/16 bolts for mounting bracket to wall or panel  
(Not Supplied)  
Adaptor P/N: 22305 (Optional)

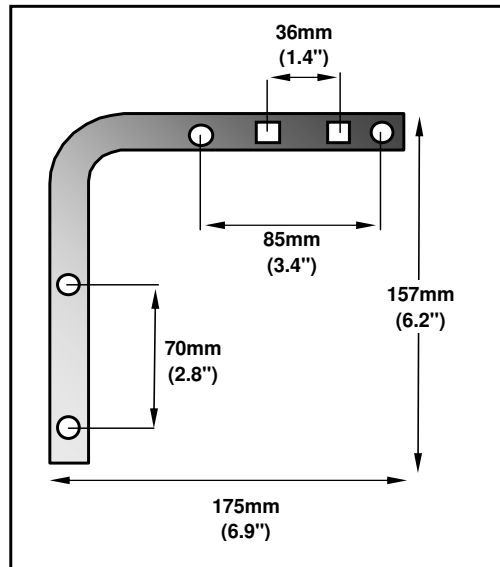


2" PIPE MOUNTING CONFIGURATION

2 Inch "U" Bolt with Nuts and Washers (Optional)  
Adaptor P/N: 22305 (Optional)



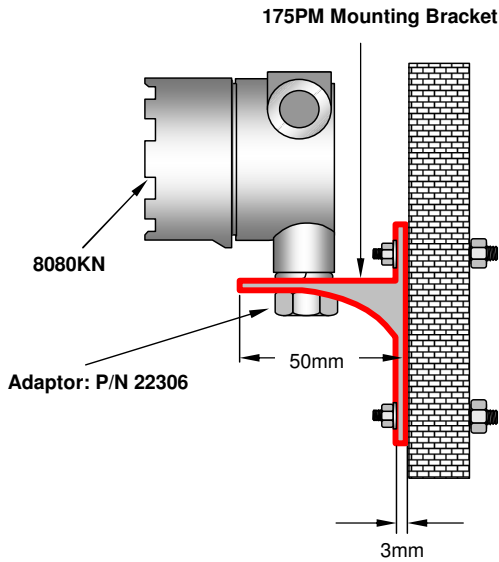
Dimensions



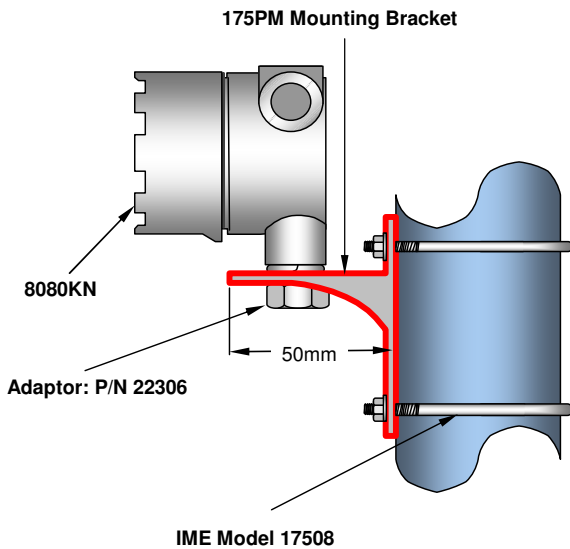
**MODEL 175PM MOUNTING BRACKET**

**IME MODEL 175PM**

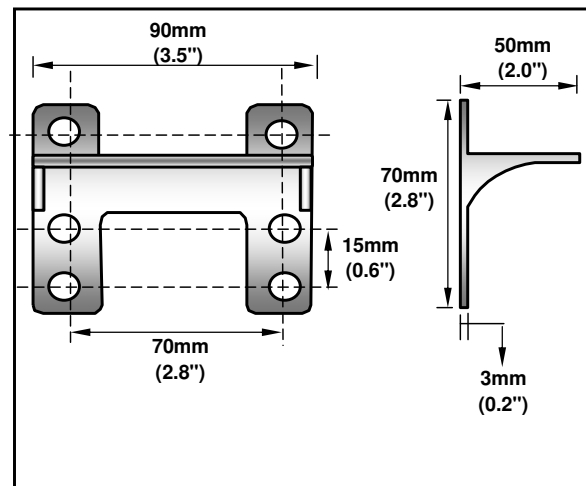
PANEL / WALL MOUNTING CONFIGURATION  
 9 mm or 5/16 bolts for mounting bracket to wall or panel  
 (Not Supplied)  
 Adaptor P/N: 22306 (Optional)



2" PIPE MOUNTING CONFIGURATION  
 2 Inch "U" Bolt with Nuts and Washers (Optional)  
 Adaptor P/N: 22306 (Optional)



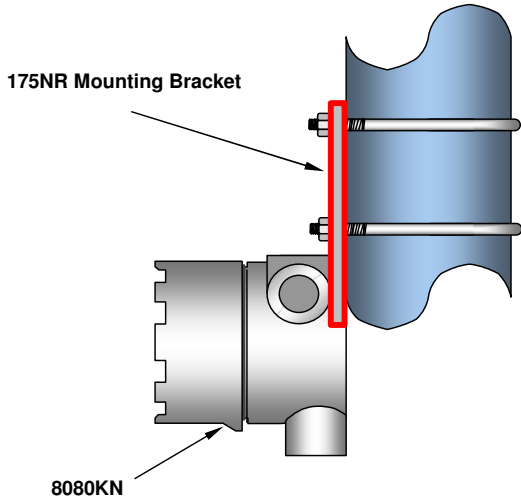
**Dimensions**



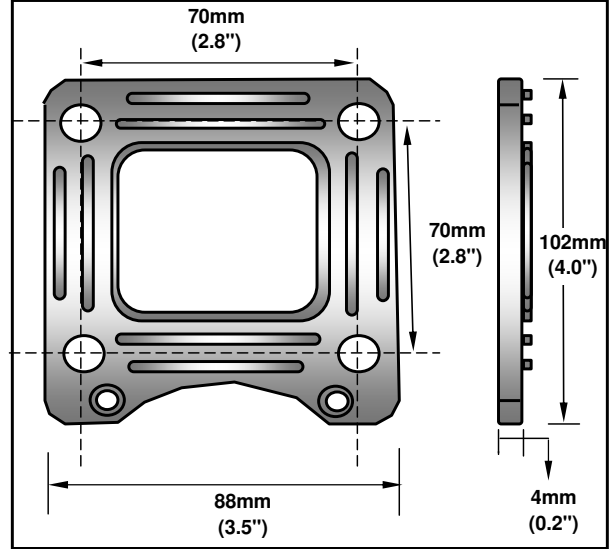
MODEL 175NR AND 175MM MOUNTING BRACKET

IME MODEL 175NR

2" PIPE MOUNTING CONFIGURATION  
2 Inch "U" Bolt with Nuts and Washers

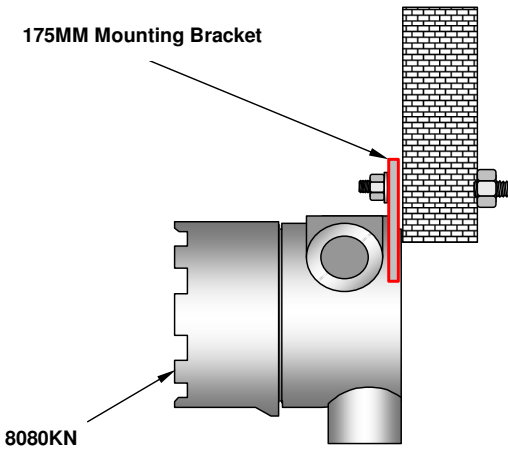


Dimensions



IME MODEL 175MM

PANEL / WALL MOUNTING CONFIGURATION  
9 mm or 5/16 bolts for mounting bracket to wall or panel  
(Not Supplied)



Dimensions

