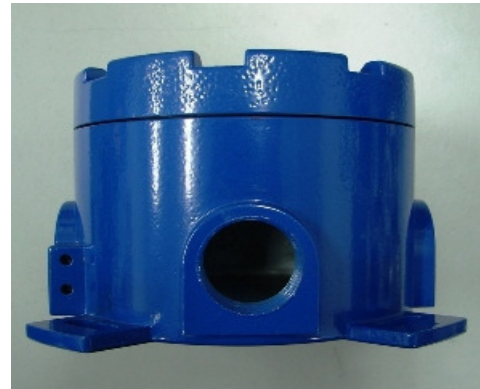


MODEL 7117 EXPLOSION PROOF JUNCTION BOX

- NEMA 4X OR IP68 CONSTRUCTION
- EXPLOSION PROOF CERTIFIED
- CHOICE OF SS316 AND COPPER-FREE ALUMINUM
- WIDE SELECTION OF CONDUIT SIZES



Introduction

Material of Construction:

Copper-Free Aluminum or SS316

Certification:

FM / ATEX / IECEx

Connections

1/2" NPT, 3/4" NPT, 1/2" NPSM, 3/4" NPSM, M20x1.5

Mounting Holes

As per requirement

Surface Finishing

Epoxy Coated for Aluminum; Electro Polish for SS316

"O" Ring

Buna "N"


Weight


5.8Kg (12.7LBS) for Aluminum; 8.7Kg (19.2LBS) for SS316


Accessories


None

Certification System

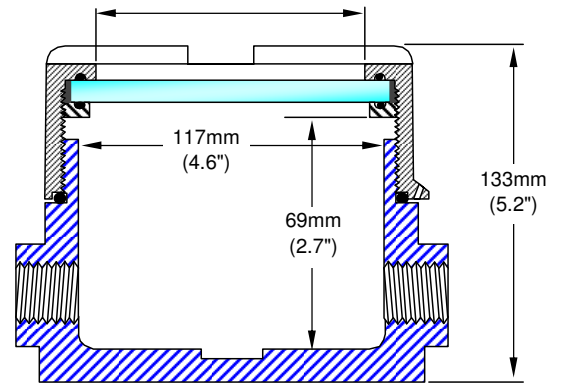
	CLASS I, DIV I GROUPS B, C AND D CLASS II, DIV I GROUPS E, F AND G NEMA 4X
---	--

	CLASS I, DIV I GROUPS B, C AND D CLASS II, DIV I GROUPS E, F AND G NEMA 4X
---	--

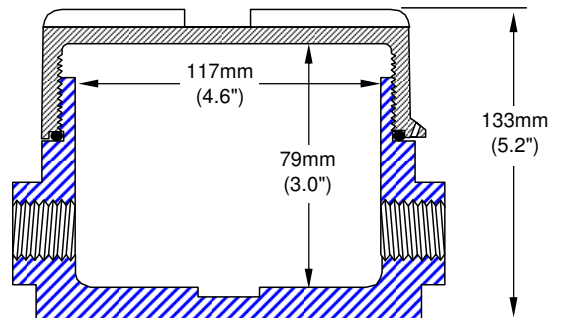
	I M2 Ex d I	or	II 2 G D T6 (85°C) Ex d IIC Ex A21 tD T85°C IP68 Ta = -40°C to +60°C
---	----------------	----	---

	Ex d I	or	Ex d II C T6 IP68 Ex A21 tD T85°C
---	--------	----	--------------------------------------

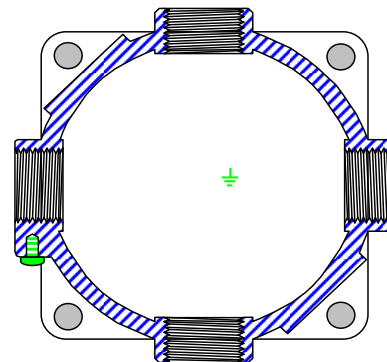
Dimensions (based on Aluminum Version)



CROSS SECTION WITH GLASS COVER



CROSS SECTION WITH BLIND COVER



TOP VIEW OF 4 ENTRIES

MODEL 7117 EXPLOSION PROOF JUNCTION BOX

IME Model 7117 Series Junction Boxes are designed to accommodate circuit boards and devices having a maximum diameter of 4.6"(117mm). Specifically designed for explosion proof applications, the housing is available in either a die-cast Copper-Free Aluminum (NEMA 4X) version or investment casted SS316 to withstand applications where aggressive atmospheres prevail. There is a wide choice of conduit and instrument entries.

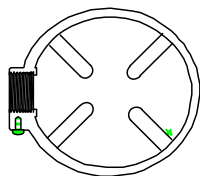
Order Information

Model	Description
7117AN	Copper-Free Aluminum Junction Box With Blind Cover, General Purpose, Epoxy Coated
7117AE	Copper-Free Aluminum Junction Box With Blind Cover, FM(US&Canada) Explosion Proof Certified, NEMA 4X, Epoxy Coated
7117AT	Copper-Free Aluminum Junction Box With Blind Cover, ATEX / IECEx Explosion Proof Certified, IP66/IP67, Epoxy Coated
7117AM	Copper-Free Aluminum Junction Box With Blind Cover, FM(US&Canada) / ATEX / IECEx Explosion Proof Certified, NEMA 4X, IP66/IP67 Epoxy Coated
7117WN	Copper-Free Aluminum Junction Box With Tempered Glass Cover, General Purpose, Epoxy Coated
7117WE	Copper-Free Aluminum Junction Box With Tempered Glass Cover, FM(US&Canada) Explosion Proof Certified, NEMA 4X, Epoxy Coated
7117WT	Copper-Free Aluminum Junction Box With Tempered Glass Cover, ATEX / IECEx Explosion Proof Certified, IP66/IP67, Epoxy Coated
7117WM	Copper-Free Aluminum Junction Box With Tempered Glass Cover, FM(US&Canada) / ATEX / IECEx Explosion Proof Certified NEMA 4X, IP66/IP67, Epoxy Coated
7117TN	Stainless Steel Junction Box With Blind Cover, General Purpose, Electro Polished
7117TE	Stainless Steel Junction Box With Blind Cover, FM(US&Canada) Explosion Proof Certified, NEMA 4X, Electro Polished
7117TT	Stainless Steel Junction Box With Blind Cover, ATEX / IECEx Explosion Proof Certified, IP66/IP67, Electro Polished
7117TM	Stainless Steel Junction Box With Blind Cover, FM(US&Canada) / ATEX / IECEx Explosion Proof Certified, NEMA 4X, IP66/IP67 Electro Polished
7117SN	Stainless Steel Junction Box With Tempered Glass Cover, General Purpose, Epoxy Coated
7117SE	Stainless Steel Junction Box With Tempered Glass Cover, FM(US&Canada) Explosion Proof Certified, NEMA 4X, Epoxy Coated
7117ST	Stainless Steel Junction Box With Tempered Glass Cover, ATEX / IECEx Explosion Proof Certified, IP66/IP67, Epoxy Coated
7117SM	Stainless Steel Junction Box With Tempered Glass Cover, FM(US&Canada) / ATEX / IECEx Explosion Proof Certified, NEMA 4X IP66/IP67, Electro Polished
7117CN	Copper-Free Aluminum Junction Box With Tempered Glass Cover, General Purpose, Cast Finish
7117CE	Copper-Free Aluminum Junction Box With Tempered Glass Cover, FM(US&Canada) Explosion Proof Certified, NEMA 4, Cast Finish
7117CT	Copper-Free Aluminum Junction Box With Tempered Glass Cover, ATEX / IECEx Explosion Proof Certified, IP66/IP67, Cast Finish
7117CM	Copper-Free Aluminum Junction Box With Tempered Glass Cover, FM(US&Canada) / ATEX / IECEx Explosion Proof Certified NEMA 4, IP66/IP67, Cast Finish
7117NN	Copper-Free Aluminum Junction Box With Blind Cover, General Purpose, Cast Finish
7117NE	Copper-Free Aluminum Junction Box With Blind Cover, FM(US&Canada) Explosion Proof Certified, NEMA 4, Cast Finish
7117NT	Copper-Free Aluminum Junction Box With Blind Cover, ATEX / IECEx Explosion Proof Certified, IP66/IP67, Cast Finish
7117NM	Copper-Free Aluminum Junction Box With Blind Cover, FM(US&Canada) / ATEX / IECEx Explosion Proof Certified, NEMA 4, IP66/IP67 Cast Finish

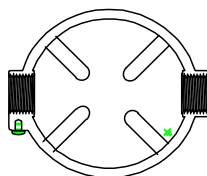
Code	Entries Description
01	1 Entry
01	2 Entries at 180°
02	2 Entries at 90°
03	3 Entries
04	4 Entries

Code	Connections
05	½" NPT
07	¾" NPT
22	M20 x1.5P (Not approved for use in Canada)
23	¾" BSP (Not Certified by FM/CSA)

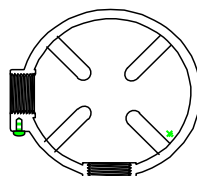
7117SM 03 01 ← Typical Model Number



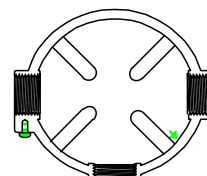
1 Entry



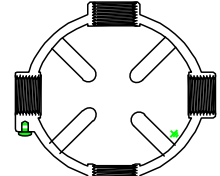
2 Entries 180°



2 Entries 90°



3 Entries



4 Entries