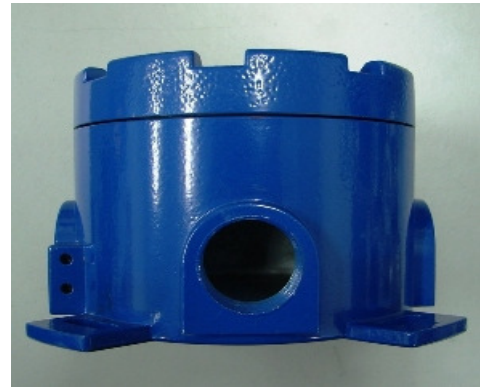


MODEL 7100 EXPLOSION PROOF JUNCTION BOX

- NEMA 4X OR IP66/IP67 CONSTRUCTION
- EXPLOSION PROOF CERTIFIED
- CHOICE OF SS316 AND COPPER-FREE ALUMINUM
- CHOICE OF TEMPERED GLASS COVER OR BLIND COVER
- WIDE SELECTION OF CONDUIT SIZES



Introduction

Material of Construction:

Copper-Free Aluminum or SS316

Certification:

None

Connections

1/2" NPT, 3/4" NPT, 1/2" NPSM, 3/4" NPSM, M20x1.5

Mounting Holes

As per requirement

Surface Finishing

Epoxy Coated for Aluminum; Electro Polish for SS316

"O" Ring

Buna "N"


Weight


2.5Kg (5.5lbs) for Aluminum; 3Kg (6.6lbs) for SS316


Accessories

None

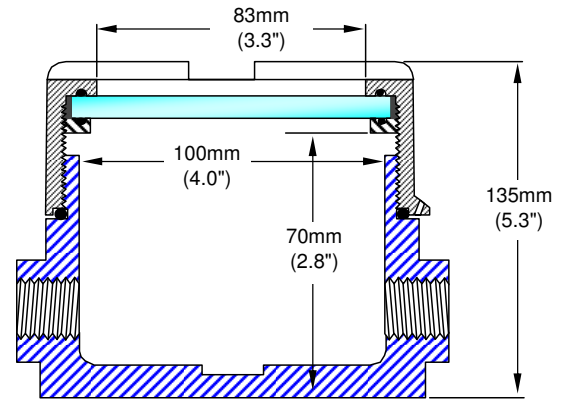
Certification System

	CLASS I, DIV I GROUPS B, C & D CLASS II/III, DIV I GROUPS E, F & G NEMA 4X, IP66/67, T6
---	---

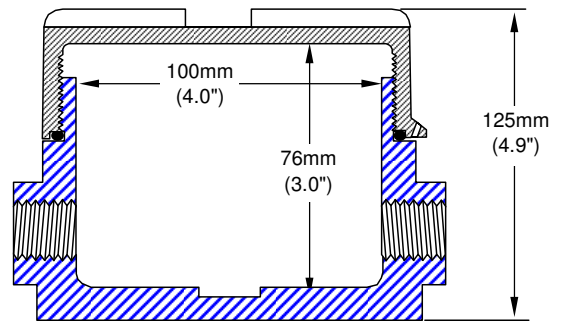
	II 2 G D Ex d IIC Ex tD A21 IP66 Ta = -40°C to +85°C
---	---

	Ex d II C Ex tD A21 IP66 Ta = -40°C to +85°C
---	--

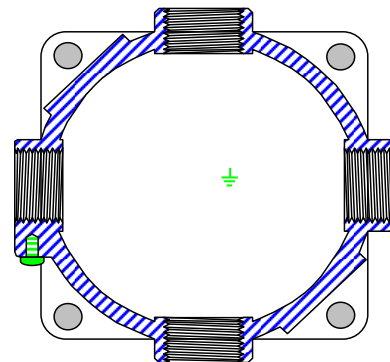
Dimensions (based on Aluminum Version)



CROSS SECTION WITH GLASS COVER



CROSS SECTION WITH BLIND COVER



TOP VIEW OF 4 ENTRIES

MODEL 7100 EXPLOSION PROOF JUNCTION BOX

IME Model 7100 Series Junction Boxes are designed to accommodate circuit boards and devices having a maximum diameter of 4.0"(100mm). Specifically designed for explosion proof applications, the housing is available in either a die-cast Copper-Free Aluminum (NEMA 4X) version or investment casted SS316 to withstand applications where aggressive atmospheres prevail. The housing can be ordered with either a tempered glass cover or solid cover. There is a wide choice of conduit and instrument entries.

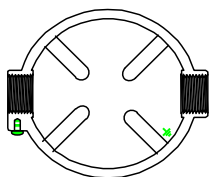
Order Information

Model	Description
7100AN	Copper-Free Aluminum Junction Box With Blind Cover, General Purpose, Epoxy Coated
7100AE	Copper-Free Aluminum Junction Box With Blind Cover, FM(US&Canada) Explosion Proof Certified, NEMA 4X, Epoxy Coated
7100AT	Copper-Free Aluminum Junction Box With Blind Cover, ATEX / IECEx Explosion Proof Certified, IP66/IP67, Epoxy Coated
7100AM	Copper-Free Aluminum Junction Box With Blind Cover, FM(US&Canada) / ATEX / IECEx Explosion Proof Certified, NEMA 4X, IP66/IP67 Epoxy Coated
7100WN	Copper-Free Aluminum Junction Box With Tempered Glass Cover, General Purpose, Epoxy Coated
7100WE	Copper-Free Aluminum Junction Box With Tempered Glass Cover, FM(US&Canada) Explosion Proof Certified, NEMA 4X, Epoxy Coated
7100WT	Copper-Free Aluminum Junction Box With Tempered Glass Cover, ATEX / IECEx Explosion Proof Certified, IP66/IP67, Epoxy Coated
7100WM	Copper-Free Aluminum Junction Box With Tempered Glass Cover, FM(US&Canada) / ATEX / IECEx Explosion Proof Certified NEMA 4X, IP66/IP67, Epoxy Coated
7100TN	Stainless Steel Junction Box With Blind Cover, General Purpose, Electro Polished
7100TE	Stainless Steel Junction Box With Blind Cover, FM(US&Canada) Explosion Proof Certified, NEMA 4X, Electro Polished
7100TT	Stainless Steel Junction Box With Blind Cover, ATEX / IECEx Explosion Proof Certified, IP66/IP67, Electro Polished
7100TM	Stainless Steel Junction Box With Blind Cover, FM(US&Canada) / ATEX / IECEx Explosion Proof Certified, NEMA 4X, IP66/IP67 Electro Polished
7100SN	Stainless Steel Junction Box With Tempered Glass Cover, General Purpose, Epoxy Coated
7100SE	Stainless Steel Junction Box With Tempered Glass Cover, FM(US&Canada) Explosion Proof Certified, NEMA 4X, Epoxy Coated
7100ST	Stainless Steel Junction Box With Tempered Glass Cover, ATEX / IECEx Explosion Proof Certified, IP66/IP67, Epoxy Coated
7100SM	Stainless Steel Junction Box With Tempered Glass Cover, FM(US&Canada) / ATEX / IECEx Explosion Proof Certified, NEMA 4X IP66/IP67, Electro Polished
7100CN	Copper-Free Aluminum Junction Box With Tempered Glass Cover, General Purpose, Cast Finish
7100CE	Copper-Free Aluminum Junction Box With Tempered Glass Cover, FM(US&Canada) Explosion Proof Certified, NEMA 4, Cast Finish
7100CT	Copper-Free Aluminum Junction Box With Tempered Glass Cover, ATEX / IECEx Explosion Proof Certified, IP66/IP67, Cast Finish
7100CM	Copper-Free Aluminum Junction Box With Tempered Glass Cover, FM(US&Canada) / ATEX / IECEx Explosion Proof Certified NEMA 4, IP66/IP67, Cast Finish
7100NN	Copper-Free Aluminum Junction Box With Blind Cover, General Purpose, Cast Finish
7100NE	Copper-Free Aluminum Junction Box With Blind Cover, FM(US&Canada) Explosion Proof Certified, NEMA 4, Cast Finish
7100NT	Copper-Free Aluminum Junction Box With Blind Cover, ATEX / IECEx Explosion Proof Certified, IP66/IP67, Cast Finish
7100NM	Copper-Free Aluminum Junction Box With Blind Cover, FM(US&Canada) / ATEX / IECEx Explosion Proof Certified, NEMA 4, IP66/IP67 Cast Finish

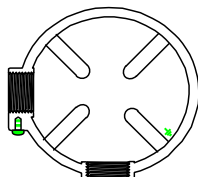
Code	Entries Description
01	1 Entry
01	2 Entries at 180°
02	2 Entries at 90°
03	3 Entries
04	4 Entries

Code	Connections
5	1/2" NPT
7	3/4" NPT
22	M20 x1.5P (Not approved for use in Canada)
23	3/4" BSP (Not Certified by FM/CSA)

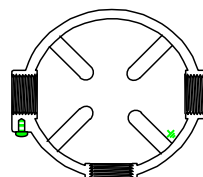
7100SE 03 01 ← Typical Model Number



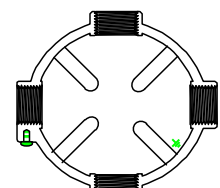
2 Entries 180°



2 Entries 90°



3 Entries



4 Entries