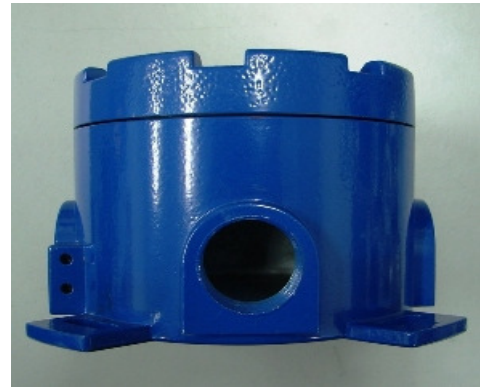


MODEL 7092 EXPLOSION PROOF JUNCTION BOX

- NEMA 4X OR IP66/IP67 CONSTRUCTION
- EXPLOSION PROOF CERTIFIED
- CHOICE OF SS316 AND COPPER-FREE ALUMINUM
- CHOICE OF TEMPERED GLASS COVER OR BLIND COVER
- WIDE SELECTION OF CONDUIT SIZES



Introduction

Material of Construction:

Copper-Free Aluminum or SS316

Certification:

FM / ATEX / IECEx Explosion Proof Certified

Connections

1/2" NPT, 3/4" NPT, 1/2" NPSM, 3/4" NPSM, M20x1.5

Mounting Holes

As per requirement

Surface Finishing

Epoxy Coated for Aluminum; Electro Polish for SS316

"O" Ring

Buna "N"


Weight


2.01Kg (4.4lbs) for Aluminum; 2.65Kg (5.8lbs) for SS316


Accessories

None

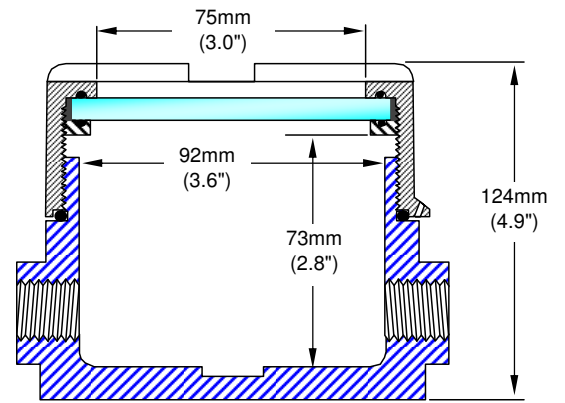
Certification System

| | |
|-------------------------------------------------------------------------------------|----------------------------------------------------------------------------------------------------------------|
|  | <p>CLASS I, DIV I GROUPS B, C & D CLASS II/III, DIV I GROUPS E, F & G NEMA 4X, IP66/67, T6</p> |
|-------------------------------------------------------------------------------------|----------------------------------------------------------------------------------------------------------------|

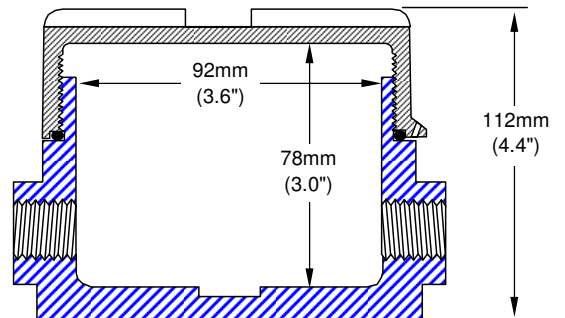
| | |
|-------------------------------------------------------------------------------------|-------------------------------------------------------------------------|
|  | <p>II 2 G D Ex d IIC Ex tD A21 IP66 Ta = -40°C to +85°C</p> |
|-------------------------------------------------------------------------------------|-------------------------------------------------------------------------|

| | |
|-------------------------------------------------------------------------------------|-------------------------------------------------------------|
|  | <p>Ex d II C Ex tD A21 IP66 Ta = -40°C to +85°C</p> |
|-------------------------------------------------------------------------------------|-------------------------------------------------------------|

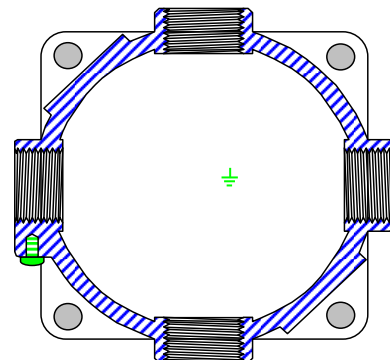
Dimensions (based on Aluminum Version)



CROSS SECTION WITH GLASS COVER



CROSS SECTION WITH BLIND COVER



TOP VIEW OF 4 ENTRIES

MODEL 7092 EXPLOSION PROOF JUNCTION BOX

IME Model 7092 Series Junction Boxes are designed to accommodate circuit boards and devices having a maximum diameter of 3.6"(92mm). Specifically designed for explosion proof applications, the housing is available in either a die-cast Copper-Free Aluminum (NEMA 4X) version or investment casted SS316 to withstand applications where aggressive atmospheres prevail. The housing can be ordered with either a tempered glass cover or solid cover. There is a wide choice of conduit and instrument entries.

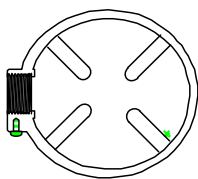
Order Information

| Model | Description |
|--------|------------------------------------------------------------------------------------------------------------------------------------------------------|
| 7092AN | Copper-Free Aluminum Junction Box With Blind Cover, General Purpose, Epoxy Coated |
| 7092AE | Copper-Free Aluminum Junction Box With Blind Cover, FM(US&Canada) Explosion Proof Certified, NEMA 4X, Epoxy Coated |
| 7092AT | Copper-Free Aluminum Junction Box With Blind Cover, ATEX / IECEx Explosion Proof Certified, IP66/IP67, Epoxy Coated |
| 7092AM | Copper-Free Aluminum Junction Box With Blind Cover, FM(US&Canada) / ATEX / IECEx Explosion Proof Certified, NEMA 4X, IP66/IP67 Epoxy Coated |
| 7092WN | Copper-Free Aluminum Junction Box With Tempered Glass Cover, General Purpose, Epoxy Coated |
| 7092WE | Copper-Free Aluminum Junction Box With Tempered Glass Cover, FM(US&Canada) Explosion Proof Certified, NEMA 4X, Epoxy Coated |
| 7092WT | Copper-Free Aluminum Junction Box With Tempered Glass Cover, ATEX / IECEx Explosion Proof Certified, IP66/IP67, Epoxy Coated |
| 7092WM | Copper-Free Aluminum Junction Box With Tempered Glass Cover, FM(US&Canada) / ATEX / IECEx Explosion Proof Certified NEMA 4X, IP66/IP67, Epoxy Coated |
| 7092TN | Stainless Steel Junction Box With Blind Cover, General Purpose, Electro Polished |
| 7092TE | Stainless Steel Junction Box With Blind Cover, FM(US&Canada) Explosion Proof Certified, NEMA 4X, Electro Polished |
| 7092TT | Stainless Steel Junction Box With Blind Cover, ATEX / IECEx Explosion Proof Certified, IP66/IP67, Electro Polished |
| 7092TM | Stainless Steel Junction Box With Blind Cover, FM(US&Canada) / ATEX / IECEx Explosion Proof Certified, NEMA 4X, IP66/IP67 Electro Polished |
| 7092SN | Stainless Steel Junction Box With Tempered Glass Cover, General Purpose, Epoxy Coated |
| 7092SE | Stainless Steel Junction Box With Tempered Glass Cover, FM(US&Canada) Explosion Proof Certified, NEMA 4X, Epoxy Coated |
| 7092ST | Stainless Steel Junction Box With Tempered Glass Cover, ATEX / IECEx Explosion Proof Certified, IP66/IP67, Epoxy Coated |
| 7092SM | Stainless Steel Junction Box With Tempered Glass Cover, FM(US&Canada) / ATEX / IECEx Explosion Proof Certified, NEMA 4X IP66/IP67, Electro Polished |
| 7092CN | Copper-Free Aluminum Junction Box With Tempered Glass Cover, General Purpose, Cast Finish |
| 7092CE | Copper-Free Aluminum Junction Box With Tempered Glass Cover, FM(US&Canada) Explosion Proof Certified, NEMA 4, Cast Finish |
| 7092CT | Copper-Free Aluminum Junction Box With Tempered Glass Cover, ATEX / IECEx Explosion Proof Certified, IP66/IP67, Cast Finish |
| 7092CM | Copper-Free Aluminum Junction Box With Tempered Glass Cover, FM(US&Canada) / ATEX / IECEx Explosion Proof Certified NEMA 4, IP66/IP67, Cast Finish |
| 7092NN | Copper-Free Aluminum Junction Box With Blind Cover, General Purpose, Cast Finish |
| 7092NE | Copper-Free Aluminum Junction Box With Blind Cover, FM(US&Canada) Explosion Proof Certified, NEMA 4, Cast Finish |
| 7092NT | Copper-Free Aluminum Junction Box With Blind Cover, ATEX / IECEx Explosion Proof Certified, IP66/IP67, Cast Finish |
| 7092NM | Copper-Free Aluminum Junction Box With Blind Cover, FM(US&Canada) / ATEX / IECEx Explosion Proof Certified, NEMA 4, IP66/IP67 Cast Finish |

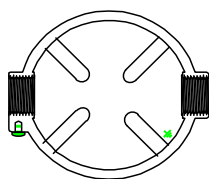
| Code | Entries Description |
|------|---------------------|
| 01 | 1 Entry |
| 01 | 2 Entries at 180° |
| 02 | 2 Entries at 90° |
| 03 | 3 Entries |
| 04 | 4 Entries |

| Code | Connections |
|------|--------------------------------------------|
| 5 | 1/2" NPT |
| 7 | 3/4" NPT |
| 22 | M20 x1.5P (Not approved for use in Canada) |
| 23 | 3/4" BSP (Not Certified by FM/CSA) |

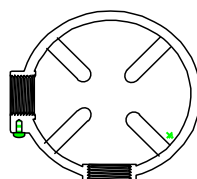
7092SE 03 01 ← Typical Model Number



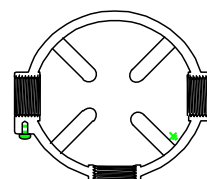
1 Entry



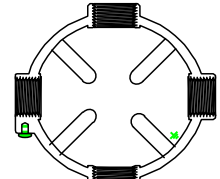
2 Entries 180°



2 Entries 90°



3 Entries



4 Entries