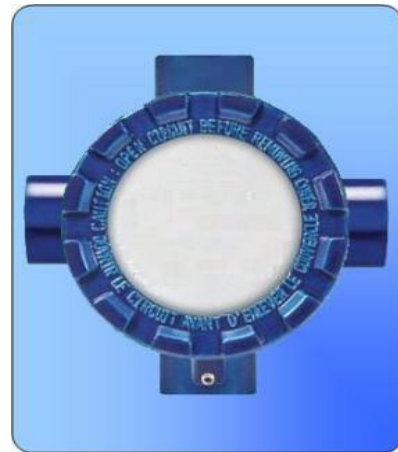


MODEL 7080 EXPLOSION PROOF JUNCTION BOX

- NEMA 4X OR IP68 CONSTRUCTION
- EXPLOSION PROOF CERTIFIED
- CHOICE OF SS316 AND COPPER-FREE ALUMINUM
- CHOICE OF TEMPERED GLASS COVER OR BLIND COVER
- WIDE SELECTION OF CONDUIT SIZES



Introduction

Material of Construction:

Copper-Free Aluminum or SS316

Certification:

FM / ATEX / IECEx

Connections

1/2" NPT, 3/4" NPT, 1/2" NPSM, 3/4" NPSM, M20x1.5

Mounting Holes

As per requirement

Surface Finishing

Epoxy Coated for Aluminum; Electro Polish for SS316

"O" Ring

Buna "N"




Weight

0.7Kg (1.5LBS) for Aluminum; 1.2Kg (2.8LBS) for SS316

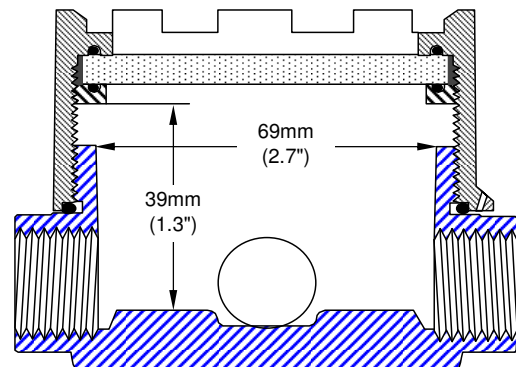
Accessories

None

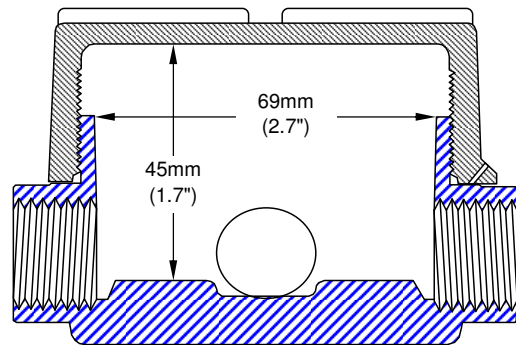
Certification System

	CLASS I, DIV I GROUPS B, C & D CLASS II/III, DIV I GROUPS E, F & G NEMA 4X
	I M2 or II 2 G D T6 (85°C) Ex d I Ex d IIC Ex A21 tD T85°C IP68 Ta = -40°C to +60°C
	Ex d I or Ex d II C T6 IP68 Ex A21 tD T85°C

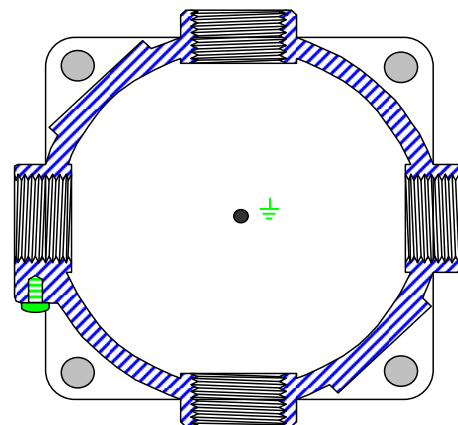
Dimensions (based on Aluminum Version)



CROSS SECTION VIEW WITH GLASS COVER



CROSS SECTION VIEW WITH BLIND COVER



TOP VIEW WITH OF 4 ENTRIES

MODEL 7080 EXPLOSION PROOF JUNCTION BOX

IME Model 7080 Series Junction Boxes are designed to accommodate circuit boards and devices having a maximum diameter of 2.6"(69mm). Specifically designed for explosion proof applications, the housing is available in either a die-cast Copper-Free Aluminum (NEMA 4X) version or investment casted SS316 to withstand applications where aggressive atmospheres prevail. The housing can be ordered with either a tempered glass cover or solid cover. There is a wide choice of conduit and instrument entries.

Order Information

Model	Description
7080AN	Copper-Free Aluminum Junction Box With Blind Cover, General Purpose, Epoxy Coated
7080AE	Copper-Free Aluminum Junction Box With Blind Cover, FM(US&Canada) Explosion Proof Certified, NEMA 4X, Epoxy Coated
7080AT	Copper-Free Aluminum Junction Box With Blind Cover, ATEX / IECEx Explosion Proof Certified, IP68, Epoxy Coated
7080AM	Copper-Free Aluminum Junction Box With Blind Cover, FM(US&Canada) / ATEX / IECEx Explosion Proof Certified, NEMA 4X, IP68 Epoxy Coated
7080WN	Copper-Free Aluminum Junction Box With Tempered Glass Cover, General Purpose, Epoxy Coated
7080WE	Copper-Free Aluminum Junction Box With Tempered Glass Cover, FM(US&Canada) Explosion Proof Certified, NEMA 4X, Epoxy Coated
7080WT	Copper-Free Aluminum Junction Box With Tempered Glass Cover, ATEX / IECEx Explosion Proof Certified, IP68, Epoxy Coated
7080WM	Copper-Free Aluminum Junction Box With Tempered Glass Cover, FM(US&Canada) / ATEX / IECEx Explosion Proof Certified NEMA 4X, IP68, Epoxy Coated
7080TN	Stainless Steel Junction Box With Blind Cover, General Purpose, Electro Polished
7080TE	Stainless Steel Junction Box With Blind Cover, FM(US&Canada) Explosion Proof Certified, NEMA 4X, Electro Polished
7080TT	Stainless Steel Junction Box With Blind Cover, ATEX / IECEx Explosion Proof Certified, IP68, Electro Polished
7080TM	Stainless Steel Junction Box With Blind Cover, FM(US&Canada) / ATEX / IECEx Explosion Proof Certified, NEMA 4X, IP68 Electro Polished
7080SN	Stainless Steel Junction Box With Tempered Glass Cover, General Purpose, Epoxy Coated
7080SE	Stainless Steel Junction Box With Tempered Glass Cover, FM(US&Canada) Explosion Proof Certified, NEMA 4X, Epoxy Coated
7080ST	Stainless Steel Junction Box With Tempered Glass Cover, ATEX / IECEx Explosion Proof Certified, IP68, Epoxy Coated
7080SM	Stainless Steel Junction Box With Tempered Glass Cover, FM(US&Canada) / ATEX / IECEx Explosion Proof Certified, NEMA 4X IP68, Electro Polished
7080CN	Copper-Free Aluminum Junction Box With Tempered Glass Cover, General Purpose, Cast Finish
7080CE	Copper-Free Aluminum Junction Box With Tempered Glass Cover, FM(US&Canada) Explosion Proof Certified, NEMA 4, Cast Finish
7080CT	Copper-Free Aluminum Junction Box With Tempered Glass Cover, ATEX / IECEx Explosion Proof Certified, IP68, Cast Finish
7080CM	Copper-Free Aluminum Junction Box With Tempered Glass Cover, FM(US&Canada) / ATEX / IECEx Explosion Proof Certified NEMA 4, IP68, Cast Finish
7080NN	Copper-Free Aluminum Junction Box With Blind Cover, General Purpose, Cast Finish
7080NE	Copper-Free Aluminum Junction Box With Blind Cover, FM(US&Canada) Explosion Proof Certified, NEMA 4, Cast Finish
7080NT	Copper-Free Aluminum Junction Box With Blind Cover, ATEX / IECEx Explosion Proof Certified, IP68, Cast Finish
7080NM	Copper-Free Aluminum Junction Box With Blind Cover, FM(US&Canada) / ATEX / IECEx Explosion Proof Certified, NEMA 4, IP68 Cast Finish

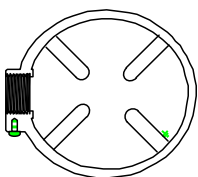
Code	Ports
00	1 Entry only
01	2 Entries at 180°
02	2 Entries at 90°
03	3 Entries
04	4 Entries

Code	Connections
05	½" NPT (F)
07	¾" NPT (F)
22	M20 x 1.5P (F) (See Note 1)
23	½" BSP (F) (See Note 2)

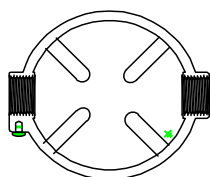
7080SE 03 01 ← Typical Model Number

Note:

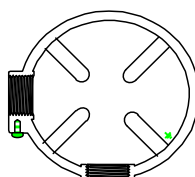
1. A temporary metric label is required when an M20 x 1.5P thread is selected. However this thread option is not allowed in Canada.
2. ½"BSP thread is not FM Approved.



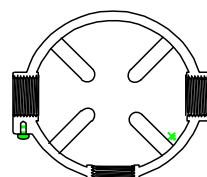
1 Entry



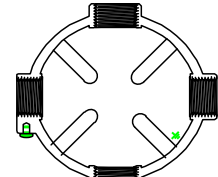
2 Entries 180°



2 Entries 90°



3 Entries



4 Entries