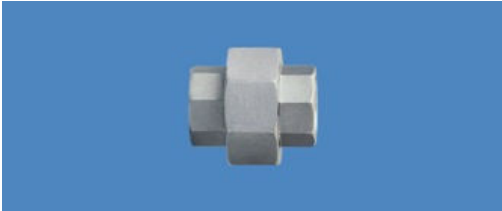


TEMPERATURE SENSOR ACCESSORIES

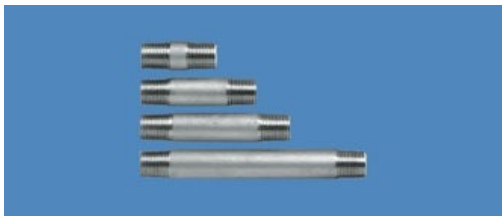
3 Piece Female Union

This well designed 3 piece female union in SS316 comes with a conical metal seat and is used in conjunction with 2 nipples to provide thermal isolation to the thermocouple head



Nipple

This standard SS316 Nipple comes in a variety of lengths and can be combined with the Model 5100 Union to meet all Nipple-Union-Nipple combinations.



Male Union

This unique 3 piece design combination of union and nipple come in six different lengths. The inherent advantages of this design over the traditional Nipple-Union-Nipple design are:

- Two NPT connections instead of four
- Closer control of overall assembly length
- Better control of sensor length for spring loading applications
- Sturdier construction (Schedule 80)
- Lower cost

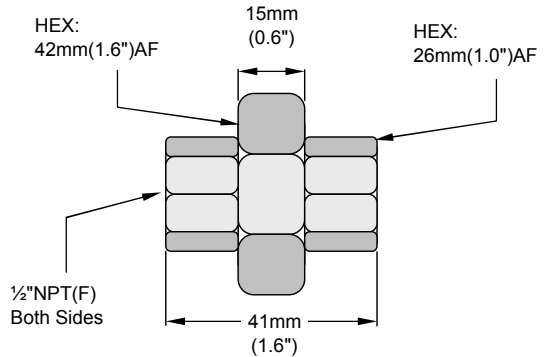


Female Union

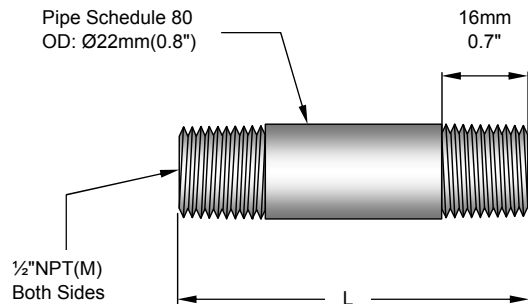
This Union comes with male thread on one end and a female thread on the other, allowing a variety of combinations and lengths.



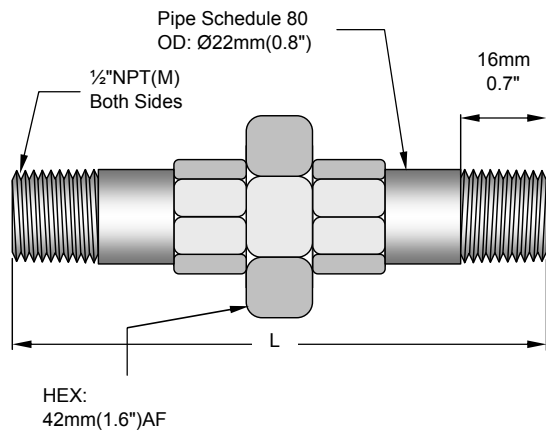
Model 5100



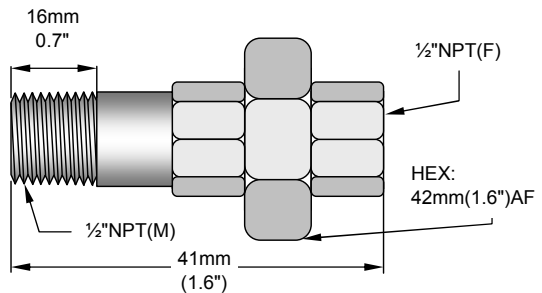
Model 5020, 5030, 5040, 5060



Model 5330, 5340, 5350, 5360, 5370



Model 5200



# INTERNATIONAL METAL ENGINEERING

## TEMPERATURE SENSOR ACCESSORIES

### Ordering Information

Model	Description
5100	3 Piece Union

5100 ← Typical Model Number

Model	Description
5020	Nipple, L=50mm (2")
5030	Nipple, L=75mm (3")
5040	Nipple, L=100mm (4")
5060	Nipple, L=150mm (6")

5100 ← Typical Model Number

Model	Description
5330	Male Union, L=75mm (3")
5340	Male Union, L=100mm (4")
5350	Male Union, L=125mm (5")
5360	Male Union, L=150mm (6")
5370	Male Union, L=175mm (7")

5100 ← Typical Model Number

Model	Description
5200	Female Union

5200 ← Typical Model Number