

Mounting Bracket

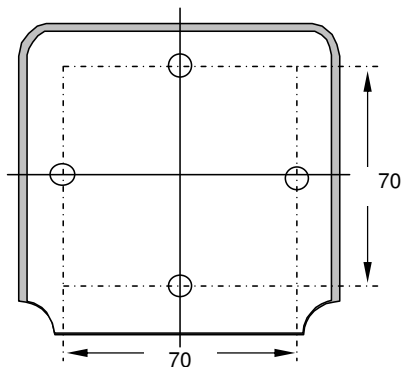
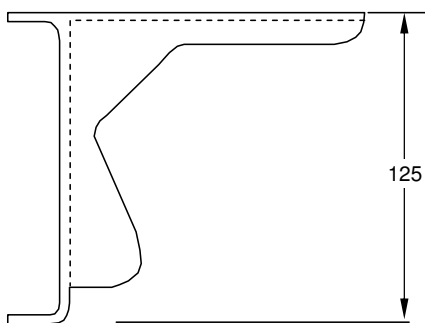
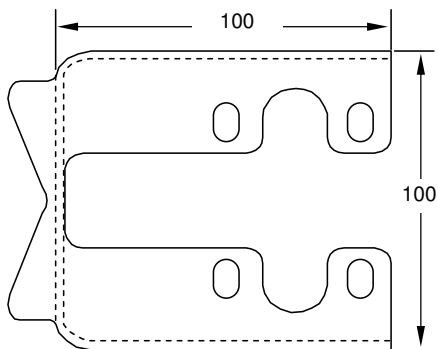
175RM

This is a traditional mounting bracket for pressure transmitter with provision for drain/vent valves.

Can be used to mount a transmitter either in a vertical or horizontal plane on to a 2" pipe, using a standard "U" Bolt.



Introduction



Specifications

Material of Construction:

SS316

Finish

Electro Polish

Mounting Method

Pip(2") Mounting

Weight

1.57LBS (715g) (not includ Assessories)

Accessories

2 Inch "U" Bolt, Screws, Nuts and Washers