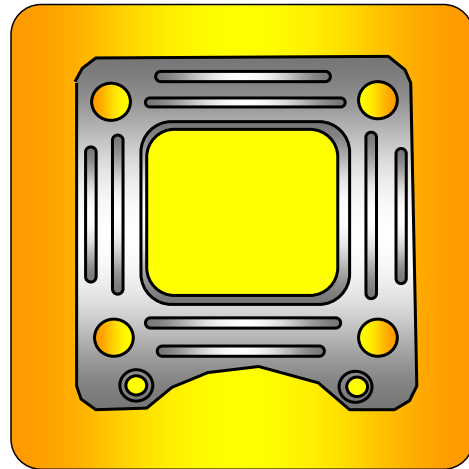


**Introduction**

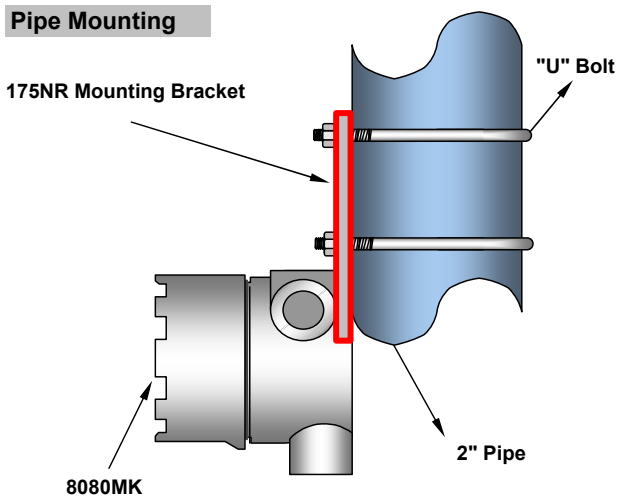
IME MODEL 175NR is a Stainless Steel Mounting Bracket made exclusively for our IME MODEL 8080 Instrument Enclosure for customers who requires all 3 ports available on the enclosure for other purpose.

When mounting on a 2" pipe, a pair of "U" Bolts are required, which can be supplied optionally.  
(See IME P/N: 17508)

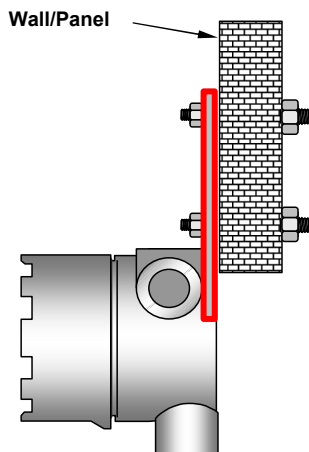


**Mounting Methods**

**Pipe Mounting**



**Wall/ Panel Mounting**



**Specifications**

**Material of Construction:**

SS316

**Finish**

Electro-Polished

**Mounting Method**

Pipe(2") or Wall Mounting

**Weight**

0.40LBS (180g) (not including Accessories)

**Accessories**

2 Inch "U" Bolt, Screws, Nuts and Washers ( IME P/N :17508 )

**Dimensions\* (in mm)**

