

**MODEL 1086SR LOW COST STAINLESS STEEL THERMOCOUPLE HEAD**

- SS316 CONSTRUCTION
- LOW COST HOUSING
- PROVISION FOR CUSTOM STAINLESS STEEL NAME PLATES
- STAINLESS STEEL BALL CHAIN
- WIDE RANGE OF ACCESSORIES



**Specifications**

**Material of Construction:**

SS316

**Certification:**

None

**Connections**

1/2" NPT, 3/4" NPT, 1/2" BSP, 3/4" BSP, M20x1.5

**Mounting Holes**

See attached drawing

**Surface Finishing**

Electro Polish

**"O" Ring**

Buna "N"

**Weight**

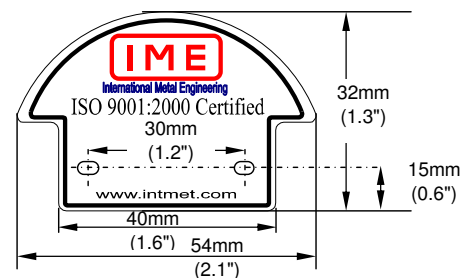
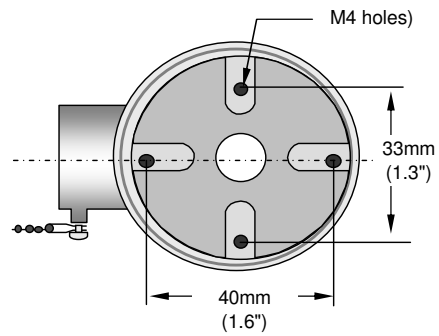
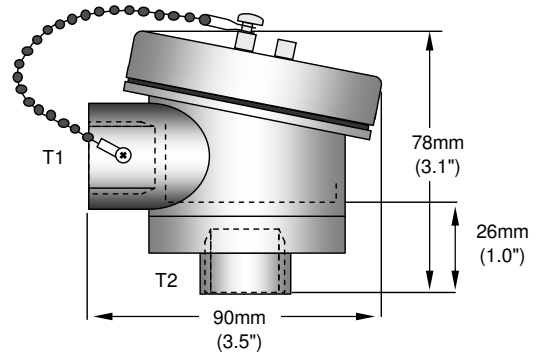
0.8lbs (400g)

**Accessories**

SS Ball Chain, Terminal Block (Ceramic/Bakelite, Optional)

Custom Designed name plate

**Dimensions**



TYPICAL SS NAMEPLATE SUPPLIED BBY IME BASED ON ARTWORK PROVIDED BY CUSTOMER

**Order Information**

Model	Description	
1086SR	Low Cost Stainless Steel Thermocouple Head with Provision for SS Name Plate	
1086SJ	Low Cost Stainless Steel Thermocouple Head	
	Code	Thread Size
	01	T1=3/4" NPT T2=1/2"NPT
	02	T1=1/2" NPT T2=1/2"NPT
	04	T1=3/4" BSP T2=1/2"BSP
	05	T1=M20X1.5 T2=1/2"BSP
	08	T1=M20X1.5 T2=1/2"NPT
	33	T1=3/4" NPT T2=3/4" NPT
1086SR	01	Typical Model Number