

MODEL 1086AR LOW COST ALUMINUM THERMOCOUPLE HEAD

- DIE-CAST ALUMINUM CONSTRUCTION
- LOW COST HOUSING
- WITH PROVISION FOR CUSTOM STAINLESS STEEL NAMEPLATE
- STAINLESS STEEL BALL CHAIN
- WIDE RANGE OF ACCESSORIES



Specifications

Material of Construction:

Die-cast Aluminum

Certification:

None

Connections

1/2" NPT, 3/4" NPT, 1/2" BSP, 3/4" BSP, M20x1.5

Mounting Holes

See attached drawing

Surface Finishing

Sliver Paint

"O" Ring

Buna "N"

Weight

0.55lbs (250g)

Accessories

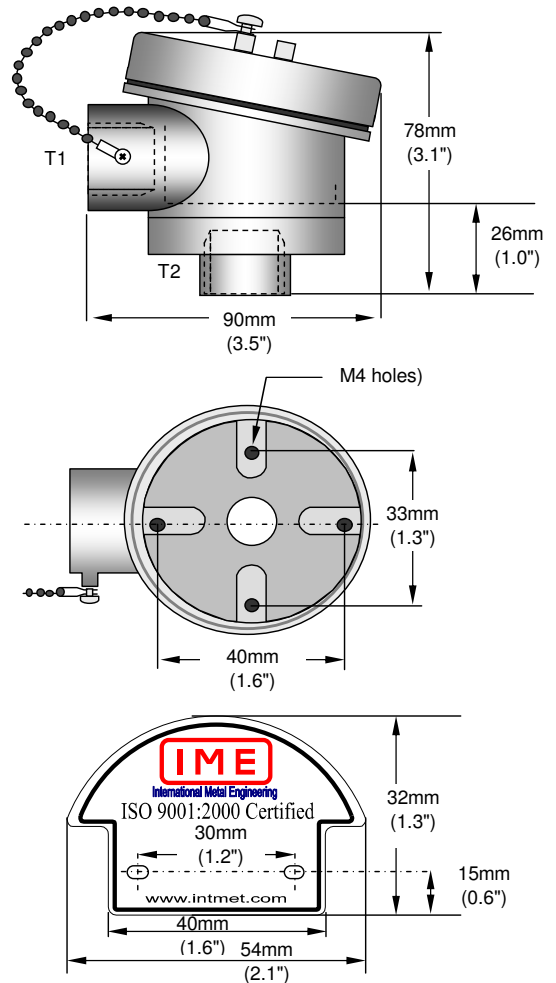
SS Ball Chain, Terminal Block(Ceramic/Bakelite, Optional)

Custom Desinged Name Plate

Ordering Information

Model	Description	
1086AR	Low Cost Aluminum Thermocouple Head with Provision for SS Name Plate	
	Code	Thread Size
	01	T1=3/4" NPT T2=1/2"NPT
	02	T1=1/2" NPT T2=1/2"NPT
	04	T1=3/4" BSP T2=1/2"BSP
	05	T1=M20X1.5 T2=1/2"BSP
	08	T1=M20X1.5 T2=1/2"NPT
	33	T1=3/4" NPT T2=3/4" NPT
1086AR	01	Typical Model Number

Dimensions



TYPICAL SS NAMEPLATE SUPPLIED BY IME BASED ON ARTWORK PROVIDED BY CUSTOMER
 TYPICAL SS NAMEPLATE SUPPLIED BY IME BASED ON ARTWORK PROVIDED BY CUSTOMER