

INTERNATIONAL METAL ENGINEERING

MODEL 1082AN DUAL CONDUIT ALUMINUM THERMOCOUPLE HEAD

- DIE-CAST ALUMINUM CONSTRUCTION
- DUAL CONDUIT CONNECTION
- PROVISION FOR CUSTOM STAINLESS STEEL NAME PLATES
- WIDE RANGE OF ACCESSORIES



Specifications

Material of Construction:

Die-Cast Aluminum, Copper Free

Certification:

None

Connections

1/2" NPT, 3/4" NPT, 1/2" BSP, 3/4" BSP, M20x1.5

Mounting Holes

See attached drawing

Surface Finishing

Sliver Paint

"O" Ring

Buna "N"

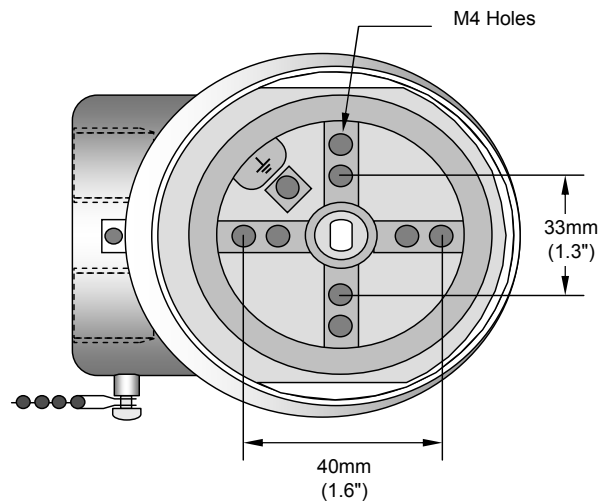
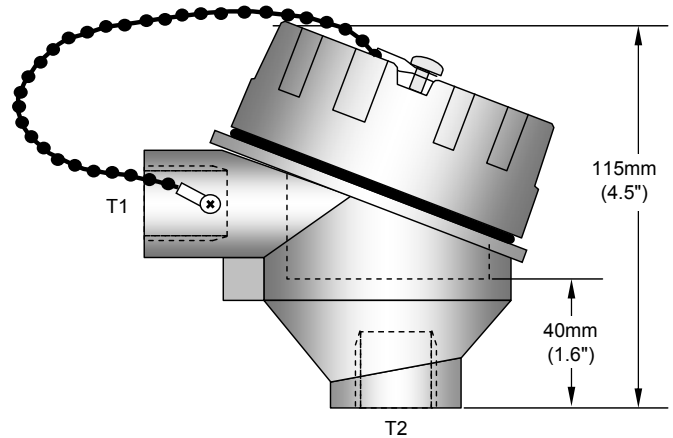
Weight

1.32lbs (600g)

Accessories

SS Ball Chain, Terminal Block(Ceramic/Bakelite, Optional), Custom Designed Name Plate

Dimensions



Order Information

Model	Description																					
1082AN	Aluminum Housing, General Purpose, Dual Conduits with provision for SS tag plates																					
	<table border="1"> <thead> <tr> <th>Code</th> <th colspan="2">Thread Size</th> </tr> </thead> <tbody> <tr> <td>01</td> <td>T1=3/4" NPT</td> <td>T2=1/2"NPT</td> </tr> <tr> <td>02</td> <td>T1=1/2" NPT</td> <td>T2=1/2"NPT</td> </tr> <tr> <td>04</td> <td>T1=3/4" BSP</td> <td>T2=1/2"BSP</td> </tr> <tr> <td>05</td> <td>T1=M20X1.5</td> <td>T2=1/2"BSP</td> </tr> <tr> <td>08</td> <td>T1=M20X1.5</td> <td>T2=1/2"NPT</td> </tr> <tr> <td>33</td> <td>T1=3/4" NPT</td> <td>T2=3/4" NPT</td> </tr> </tbody> </table>	Code	Thread Size		01	T1=3/4" NPT	T2=1/2"NPT	02	T1=1/2" NPT	T2=1/2"NPT	04	T1=3/4" BSP	T2=1/2"BSP	05	T1=M20X1.5	T2=1/2"BSP	08	T1=M20X1.5	T2=1/2"NPT	33	T1=3/4" NPT	T2=3/4" NPT
Code	Thread Size																					
01	T1=3/4" NPT	T2=1/2"NPT																				
02	T1=1/2" NPT	T2=1/2"NPT																				
04	T1=3/4" BSP	T2=1/2"BSP																				
05	T1=M20X1.5	T2=1/2"BSP																				
08	T1=M20X1.5	T2=1/2"NPT																				
33	T1=3/4" NPT	T2=3/4" NPT																				
1082AN	01																					