

**MODEL 1080KN LOW COST ALUMINUM THERMOCOUPLE HEAD**

- COPPER-FREE DIE-CAST ALUMINUM CONSTRUCTION
- LOW COST HOUSING
- SILVER PAINT
- STAINLESS STEEL BALL CHAIN
- WIDE SELECTION OF CONDUIT SIZES



**Specifications**

**Material of Construction:**

Die-Cast Aluminum, Copper Free

**Certification:**

None

**Connections**

From 1/2" NPT, 3/4" NPT, 1/2" BSP, 3/4" BSP, M20x1.5

**Mounting Holes**

As per attached drawing

**Surface Finishing**

Sliver Paint

**"O" Ring**

Buna "N"

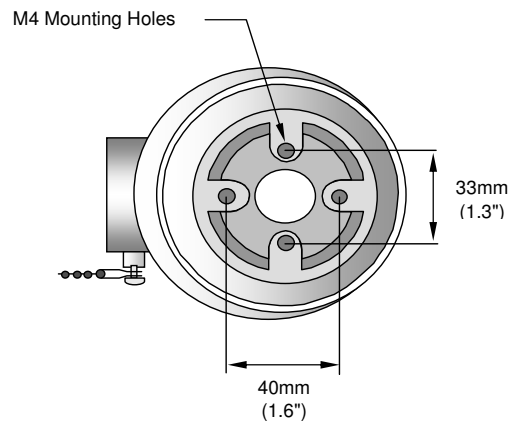
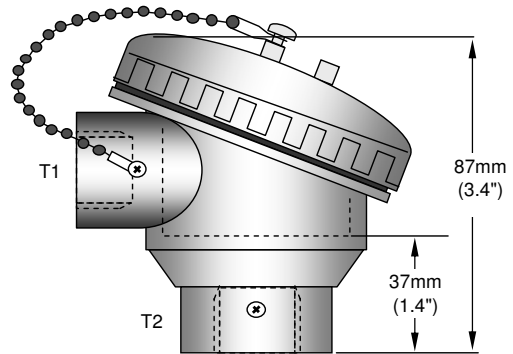
**Weight**

1.0lbs (450g)

**Accessories**

SS Ball Chain, Terminal Block(Ceramic/Bakelite, Optional)

**Dimensions**



**Order Information**

Model	Description	
1080KN	Low Cost Aluminum Thermocouple Head	
	Code	Thread Size
	01	T1=3/4" NPT T2=1/2"NPT
	02	T1=1/2" NPT T2=1/2"NPT
	04	T1=3/4" BSP T2=1/2"BSP
	05	T1=M20X1.5 T2=1/2"BSP
	08	T1=M20X1.5 T2=1/2"NPT
	33	T1=3/4" NPT T2=3/4" NPT

1080KN	01	
--------	----	--